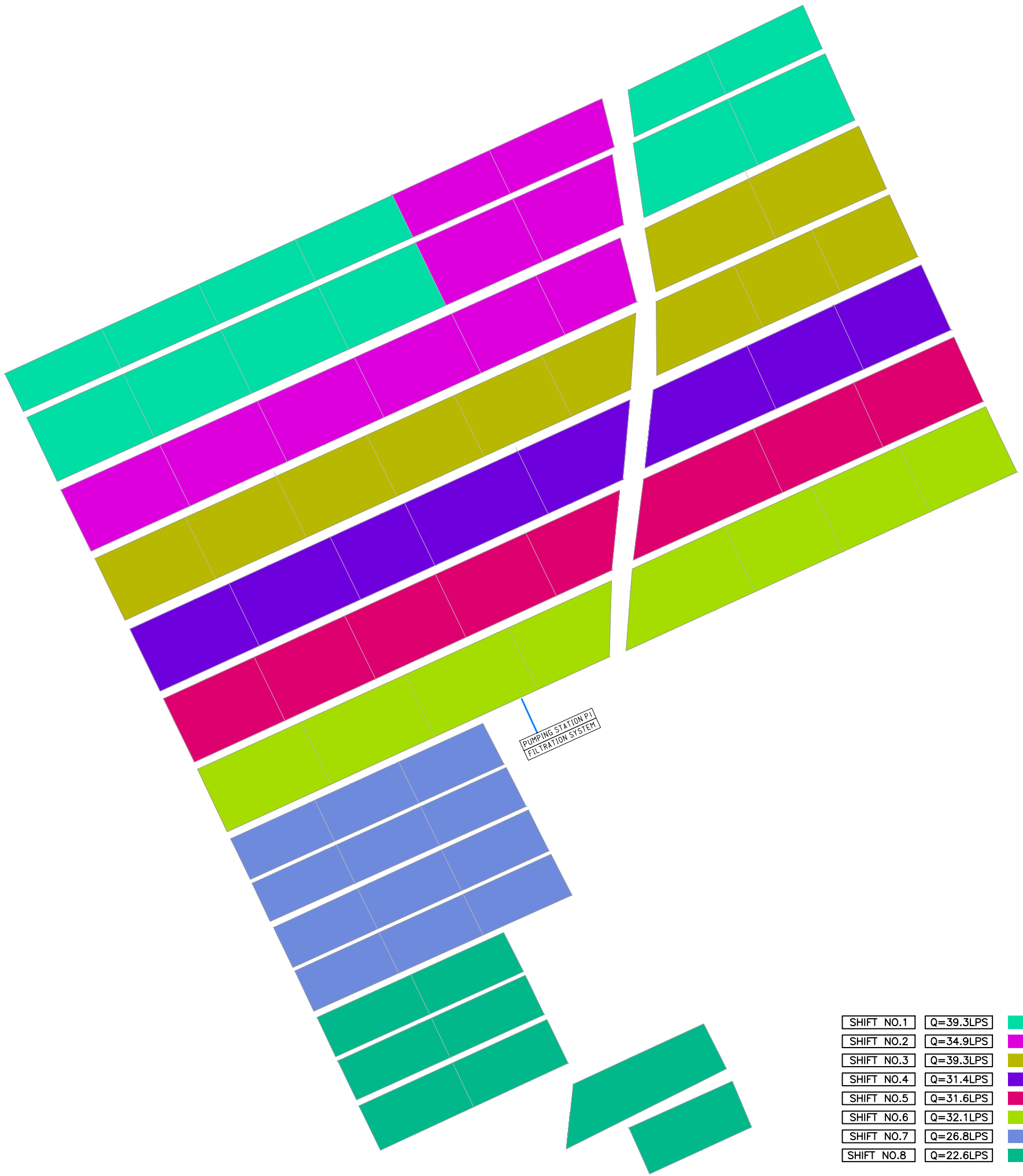


LATERAL : 20mm-1200micron-2Lph-60cm

LATERAL : 16mm-1100micron-2Lph-60cm

		PROJ.NO	CLIENT: SIRJAN BONYAD CO. CONSULTANT: ABBAS RAHBAR	
DATE	SIGNATURE		DESIGNED	SABZDASHT PISTACHIO ORCHARD DRIP TO SUB-SURFACE PROJECT
	Abbas Rahbar			
	Abbas Rahbar		DRAWN	SCALE FIT:A1
			CHECKED	
			APPROVED	ORCHARDS AREA AND DISCHARGE
PRESSURIZED IRRIGATION		FIELD		
			DWG.NO.GE--PISTACHIO--SDI--1/5	
			UNITS: METRIC	

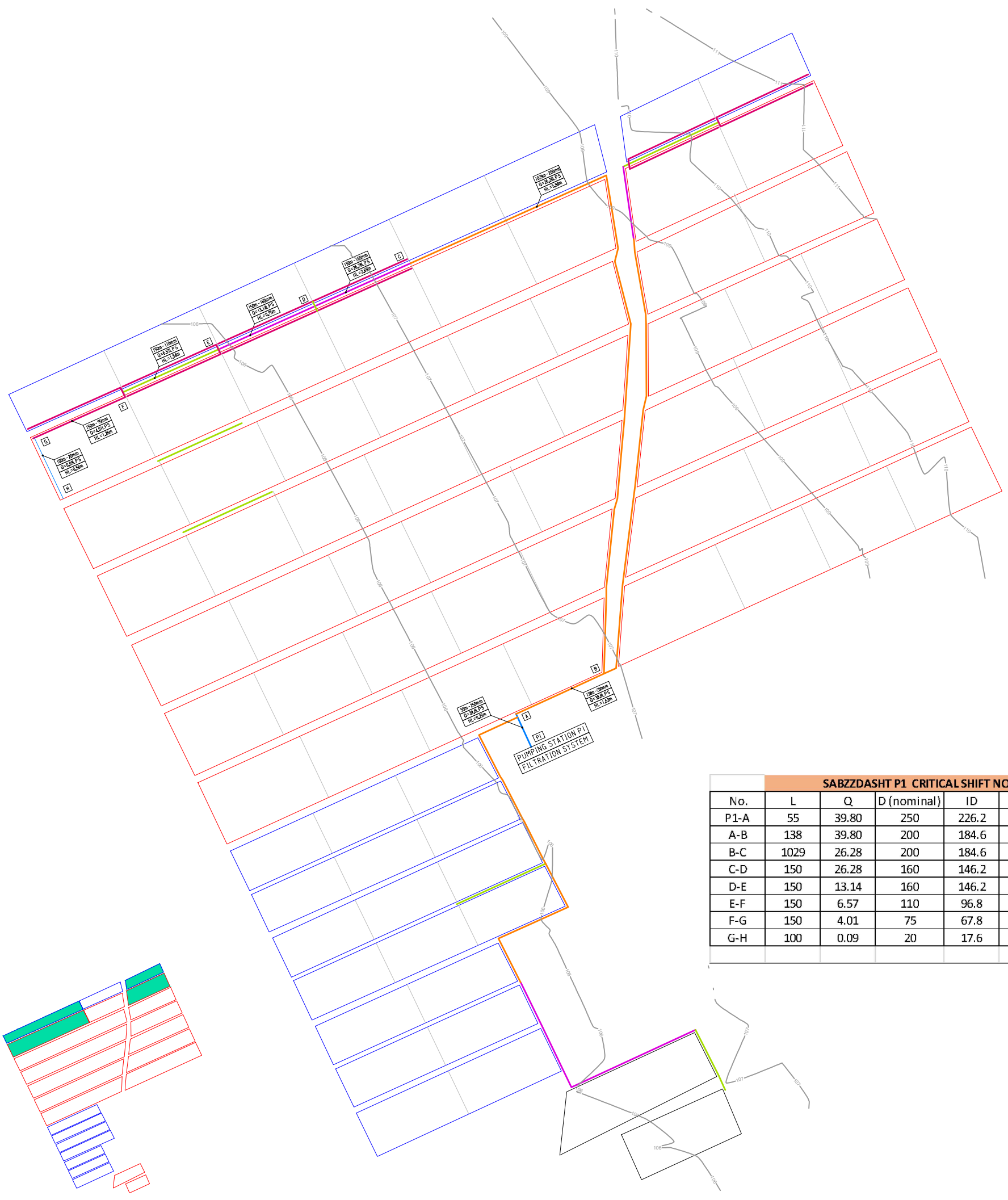


PUMPING STATION P1
FILTRATION SYSTEM

SHIFT NO.1	Q=39.3LPS	
SHIFT NO.2	Q=34.9LPS	
SHIFT NO.3	Q=39.3LPS	
SHIFT NO.4	Q=31.4LPS	
SHIFT NO.5	Q=31.6LPS	
SHIFT NO.6	Q=32.1LPS	
SHIFT NO.7	Q=26.8LPS	
SHIFT NO.8	Q=22.6LPS	

		PROJ.NO	CLIENT: SIRJAN BONYAD CO. CONSULTANT: ABBAS RAHBAR	
DATE	SIGNATURE			
	Abbas Rahbar	DESIGNED		
	Abbas Rahbar	DRAWN	SABZDASHT PISTACHIO ORCHARD S1 DRIP TO SUB-SURFACE PROJECT	SCALE FIT:A1
		CHECKED		
		APPROVED		
PRESSURIZED IRRIGATION		FIELD	IRRIGATION SHIFTS-113Ha	UNITS: METRIC
			DWG.NO.GE-PISTACHIO-SDI-2/5	

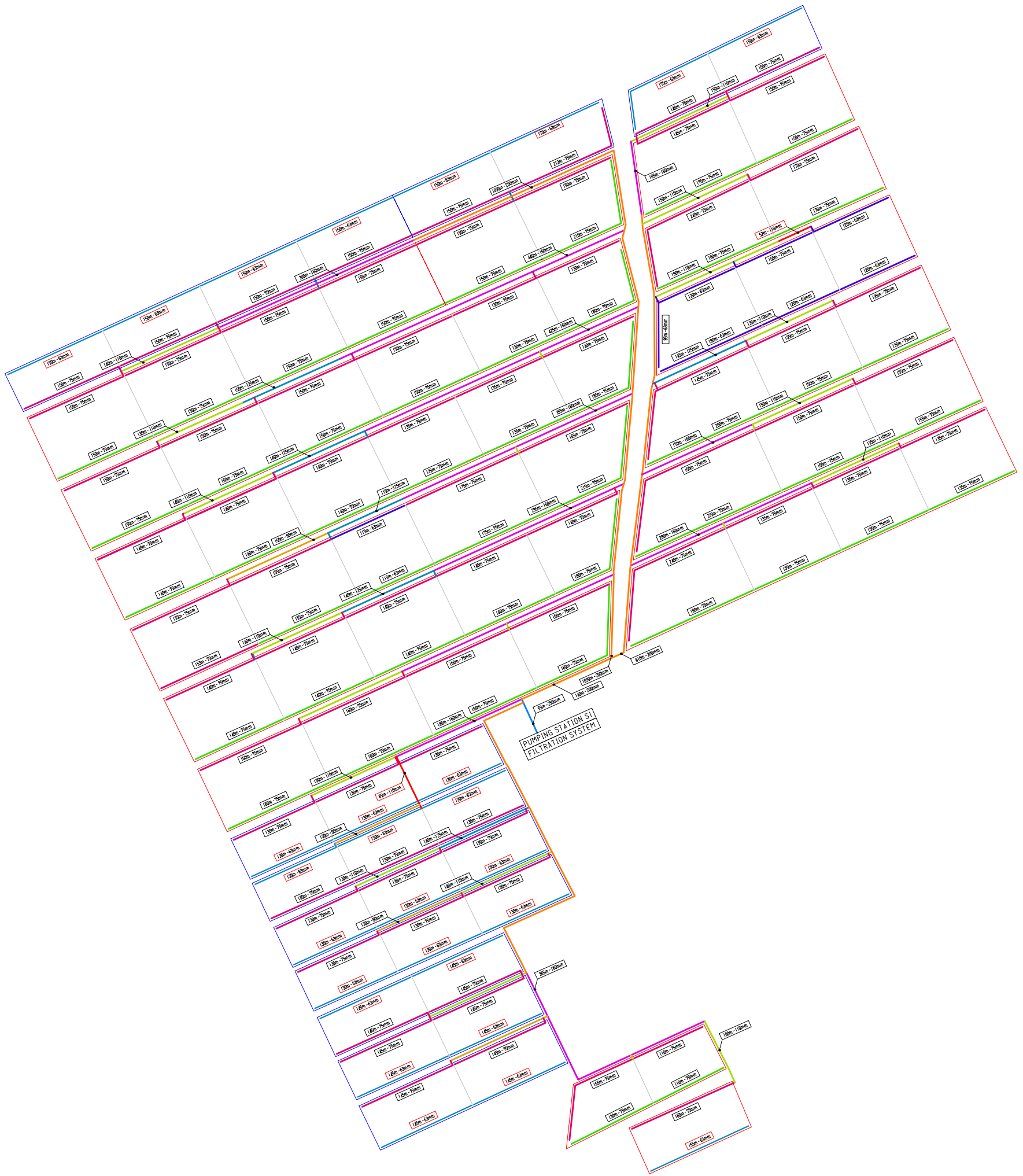
TOTAL DISCHARGE=35LPS



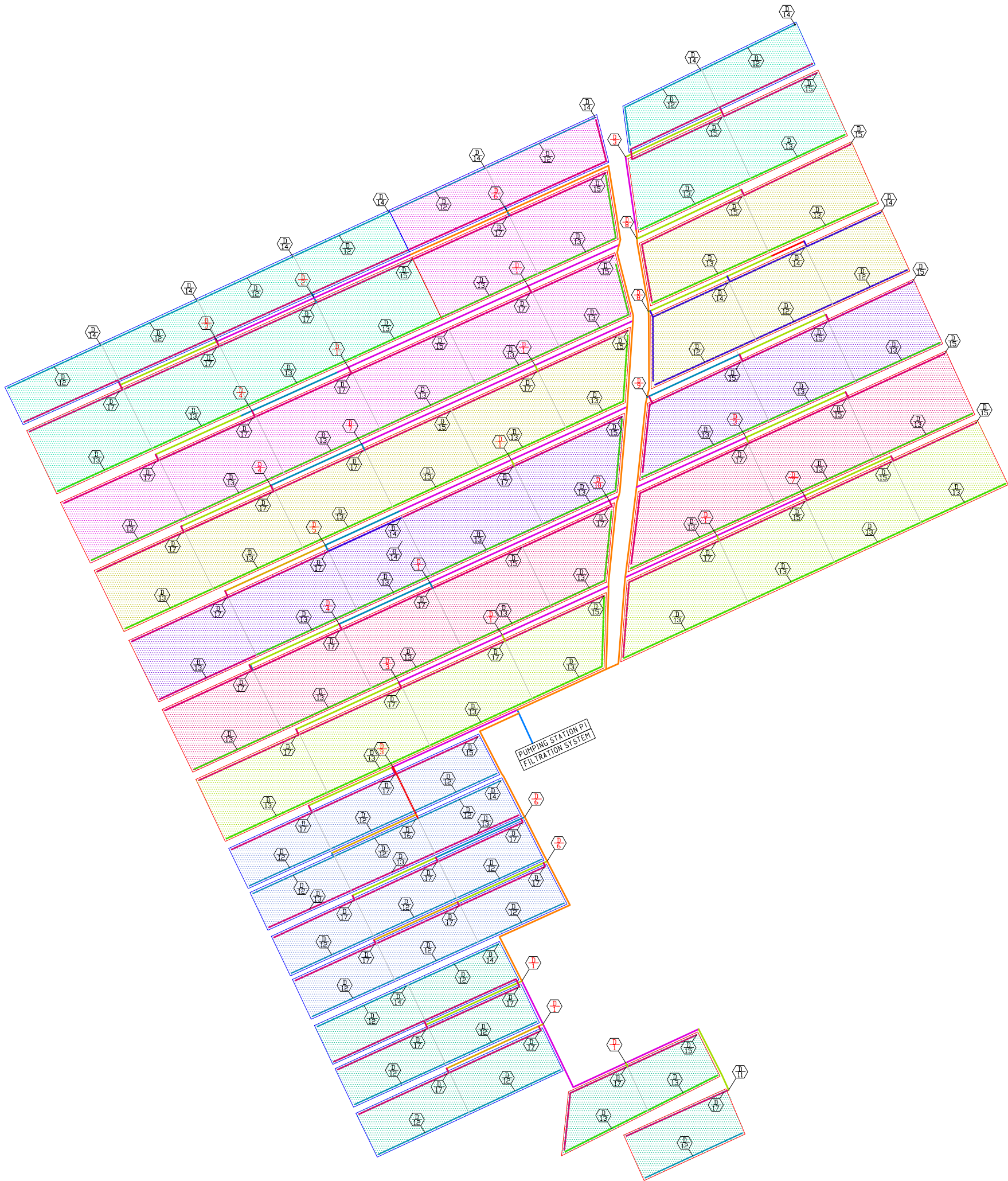
SABZDASHT P1 CRITICAL SHIFT NO.1						
No.	L	Q	D (nominal)	ID	HF	
P1-A	55	39.80	250	226.2	0.25	0.99
A-B	138	39.80	200	184.6	1.72	1.49
B-C	1029	26.28	200	184.6	5.94	0.98
C-D	150	26.28	160	146.2	2.69	1.57
D-E	150	13.14	160	146.2	0.75	0.78
E-F	150	6.57	110	96.8	1.54	0.89
F-G	150	4.01	75	67.8	1.26	1.11
G-H	100	0.09	20	17.6	0.56	0.38
					14.71	

DATE		SIGNATURE		PROJ.NO	CLIENT: SIRJAN BONYAD CO. CONSULTANT: ABBAS RAHBAR	
		Abbas Rahbar Abbas Rahbar		DESIGNED	SABZDASHT PISTACHIO ORCHARD S1 DRIP TO SUB-SURFACE PROJECT	
		Abbas Rahbar		DRAWN		
				CHECKED	CRITICAL SHIFT NO.1	
				APPROVED		
PRESSURIZED IRRIGATION		FIELD		DWG.NO.GE--PISTACHIO--SDI--3/5		SCALE FIT:A1 UNITS: METRIC

TOTAL DISCHARGE=35LPS

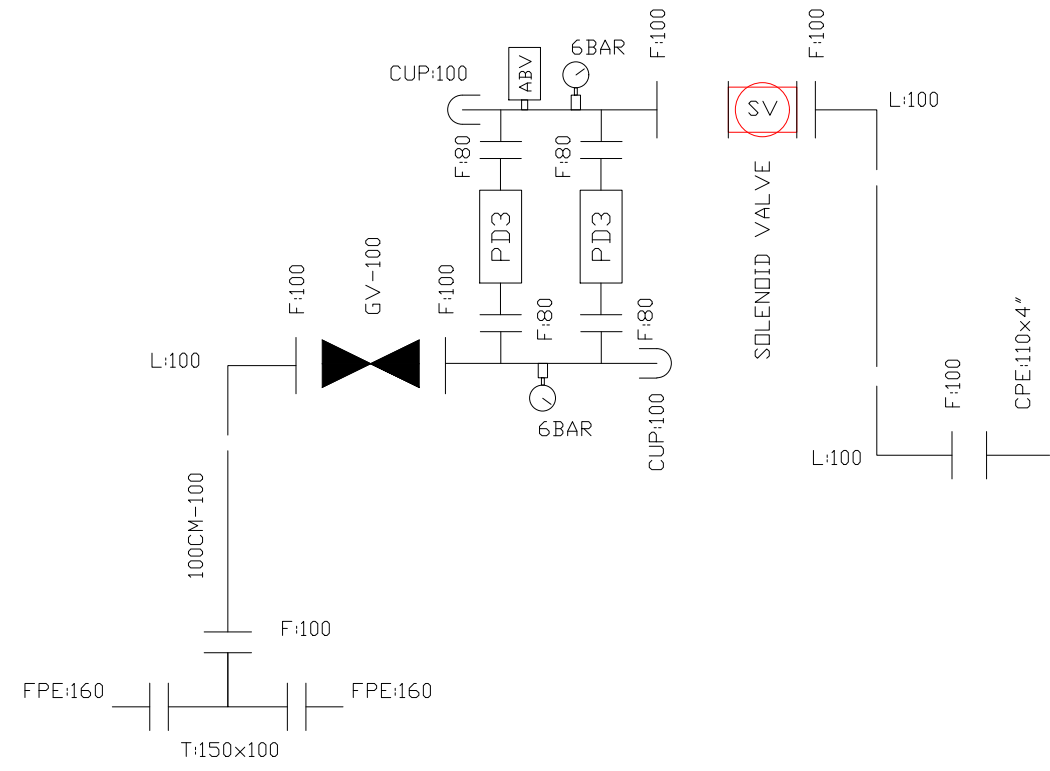


		PROJ.NO		
DATE	SIGNATURE		CLIENT: SIRJAN BONYAD CO. CONSULTANT: ABBAS RAHBAR	
	Abbas Rahbar	DESIGNED		
	Abbas Rahbar	DRAWN	SABZDASHT PISTACHIO ORCHARD S1 DRIP TO SUB-SURFACE PROJECT	
		CHECKED		
		APPROVED		
PRESSURIZED IRRIGATION		FIELD	NETWORK PIPE SIZING-113Ha	
			DWG.NO.GE--PISTACHIO--SDI-4/5	
			SCALE FIT:A1	UNITS: METRIC

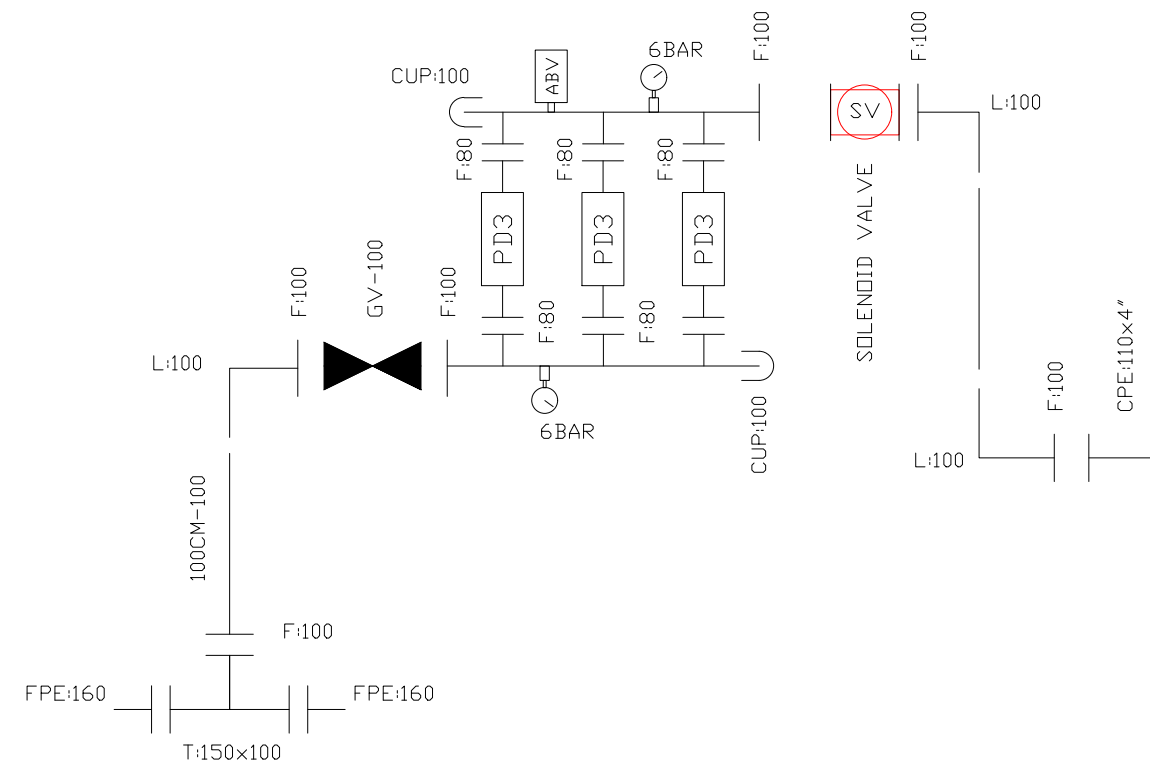


		PROJ.NO	CLIENT: SIRJAN BONYAD CO. CONSULTANT: ABBAS RAHBAR	
DATE	SIGNATURE		SABZDASHT PISTACHIO ORCHARD S1 DRIP TO SUB-SURFACE PROJECT	SCALE FIT:A1
	Abbas Rahbar	DESIGNED		
	Abbas Rahbar	DRAWN	NETWORK DETAILS-113Ha	UNITS: METRIC
		CHECKED		
		APPROVED	DWG.NO.GE--PISTACHIO--SDI-5/5	
PRESSURIZED IRRIGATION		FIELD		

D1x10

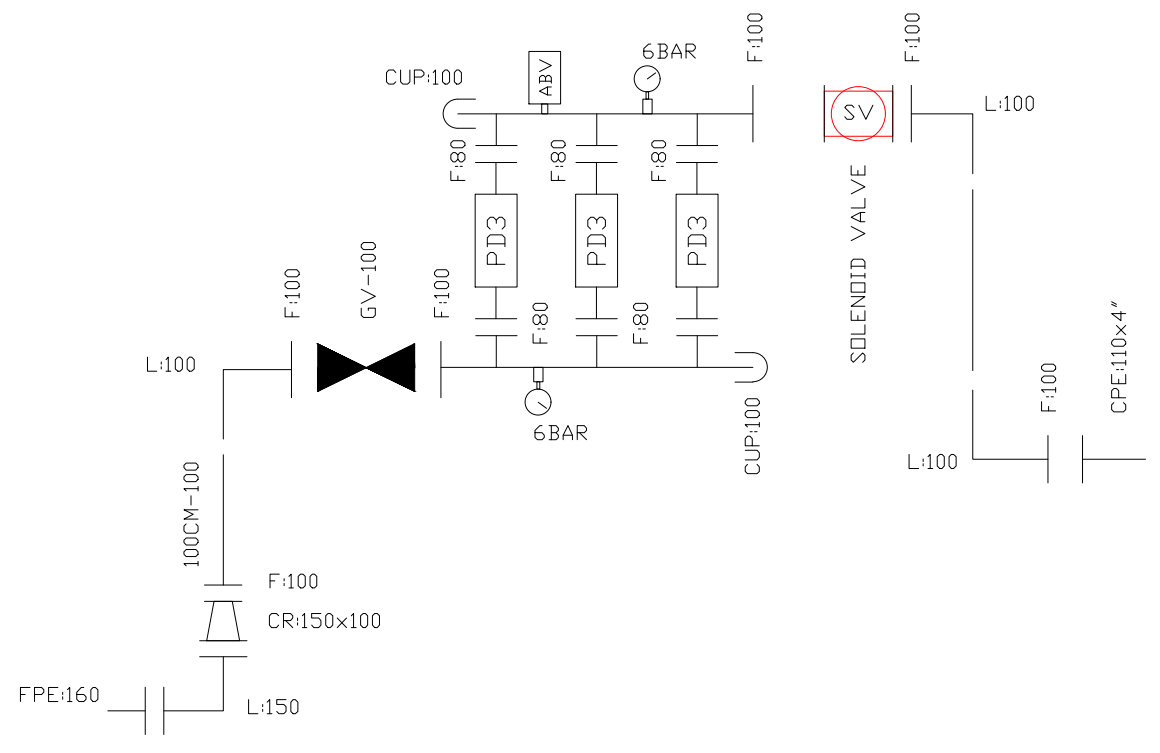


D2x1

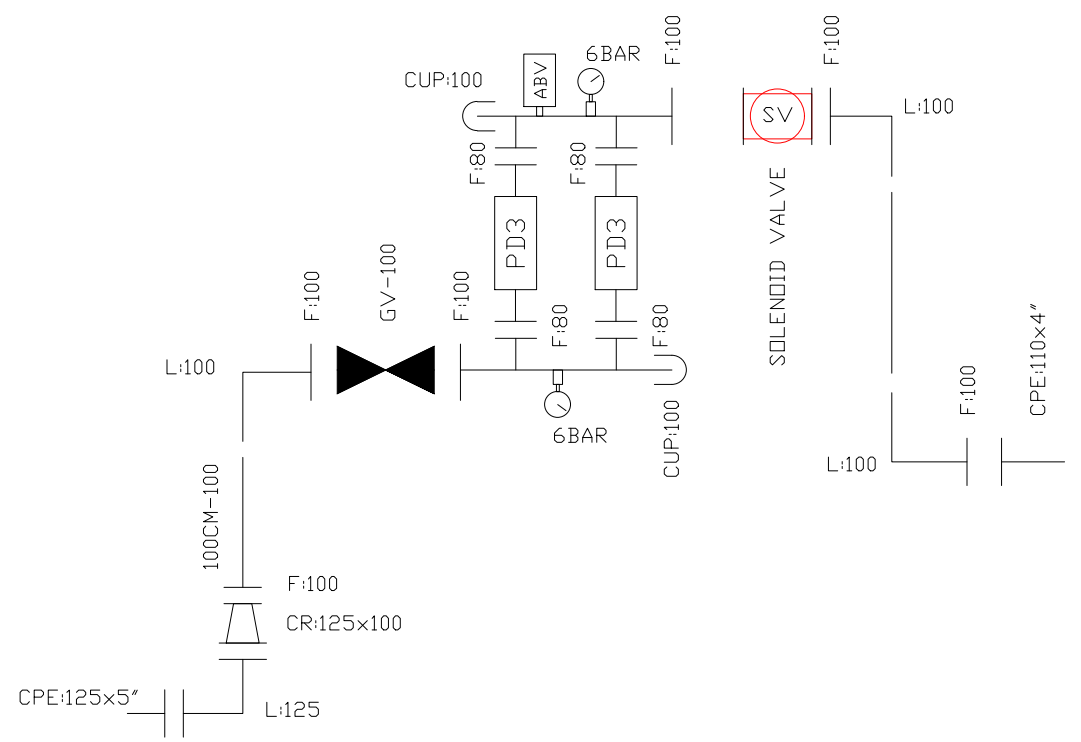


		PROJ.NO	CLIENT: SIRJAN BONYAD CO. CONSULTANT: ABBAS RAHBAR	
DATE	SIGNATURE			
Abbas Rahbar	Abbas Rahbar	DESIGNED		
Abbas Rahbar		DRAWN	SABZDASHT PISTACHIO ORCHARD S1 DRIP TO SUB-SURFACE PROJECT	SCALE FIT:A3
		CHECKED		
		APPROVED		
PRESSURIZED IRRIGATION	FIELD		DETAILS-113Ha	UNITS: METRIC
			DWG.NO.GE-PISTACHIO-SDI-2/7	

D3x5

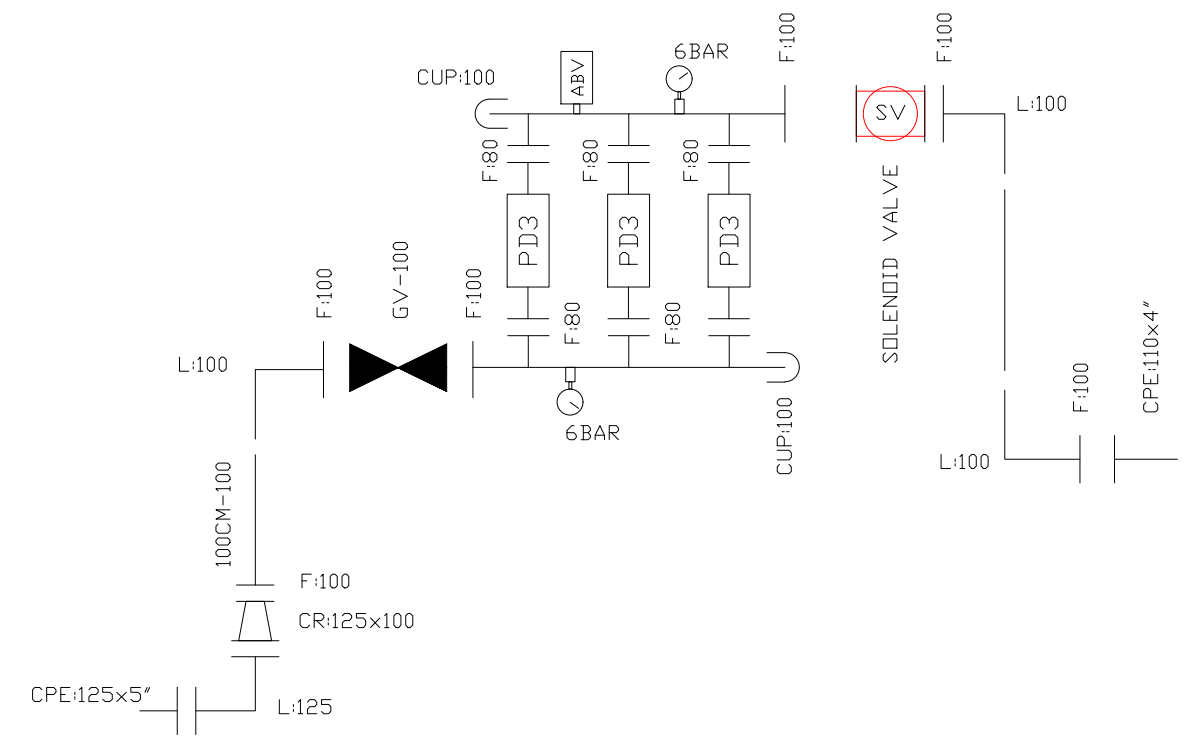


D4x3

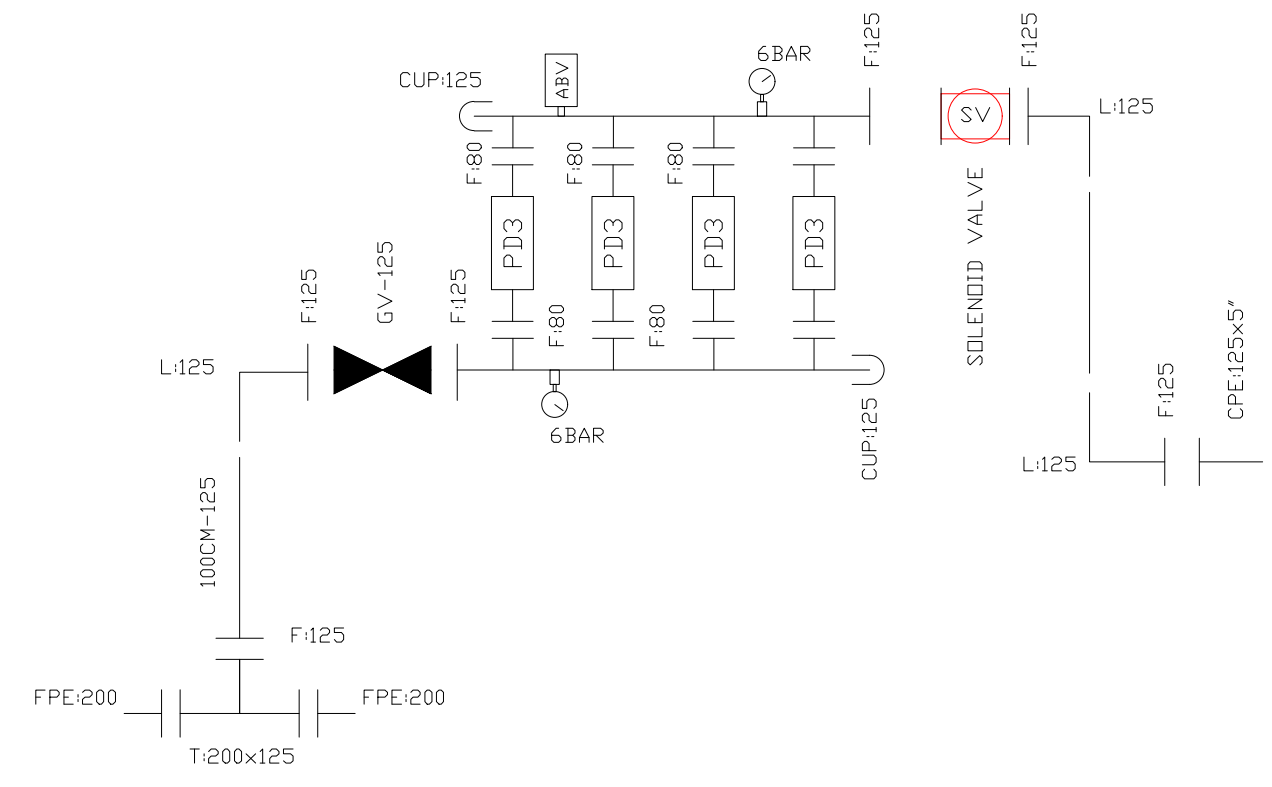


DATE		SIGNATURE	PROJ.NO	CLIENT: SIRJAN BONYAD CO. CONSULTANT: ABBAS RAHBAR	
		Abbas Rahbar	DESIGNED	SABZDASHT PISTACHIO ORCHARD S1 DRIP TO SUB-SURFACE PROJECT	
		Abbas Rahbar	DRAWN		
			CHECKED	DETAILs-113Ha	
			APPROVED		
PRESSURIZED IRRIGATION	FIELD		DWG.NO.GE-PISTACHIO-SDI-2/7		

D5x1

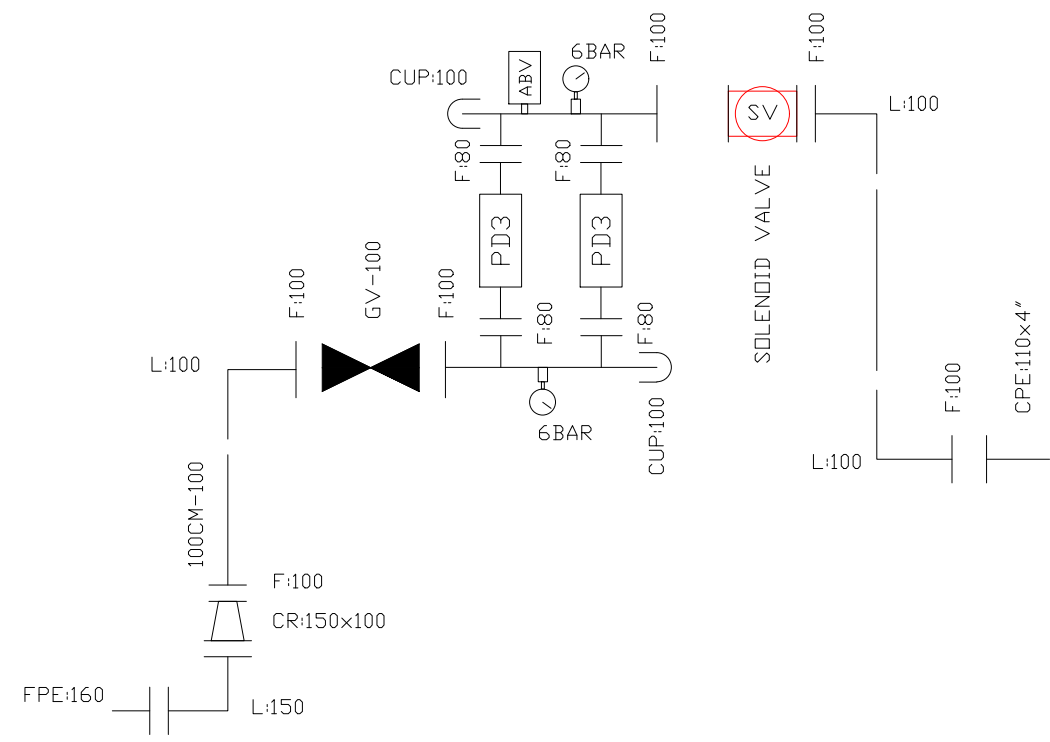


D6x3

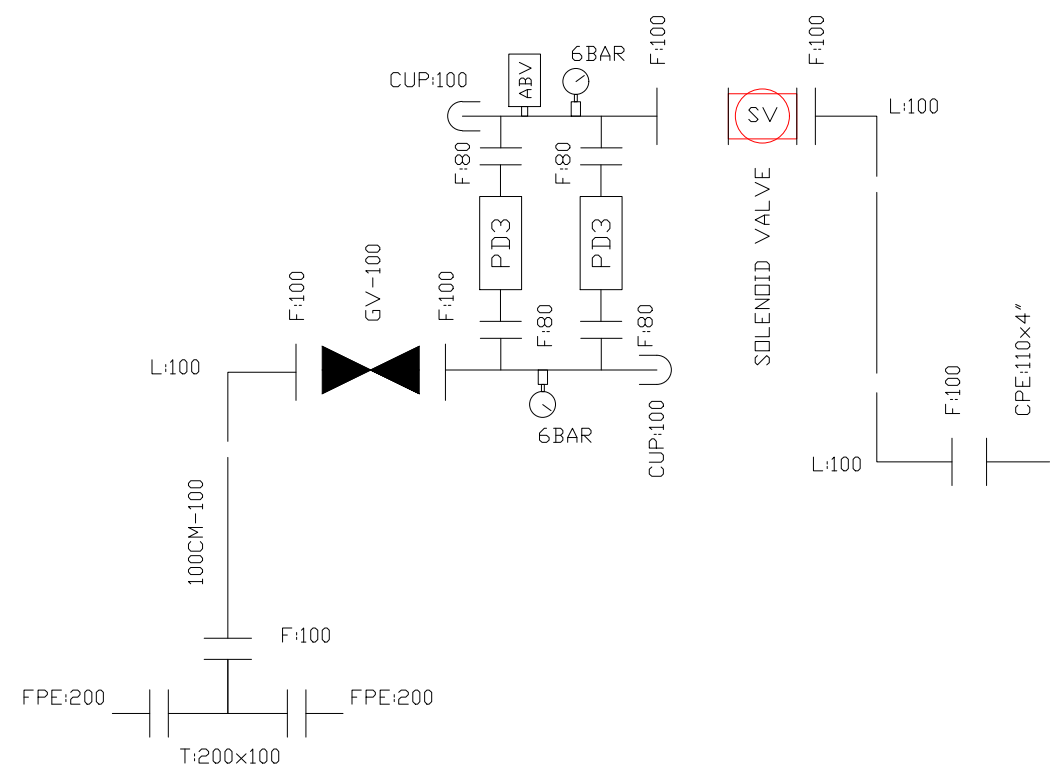


		PROJ.NO	CLIENT: SIRJAN BONYAD CO.	
DATE	SIGNATURE		CONSULTANT: ABBAS RAHBAR	
Abbas Rahbar	Abbas Rahbar	DESIGNED	SABZDASHT PISTACHIO ORCHARD S1 DRIP TO SUB-SURFACE PROJECT	SCALE FIT:A3
		DRAWN		
		CHECKED	DETAILs-113Ha	UNITS: METRIC
		APPROVED		
PRESSURIZED IRRIGATION	FIELD		DWG.NO.GE-PISTACHIO-SDI-2/7	

D7x2

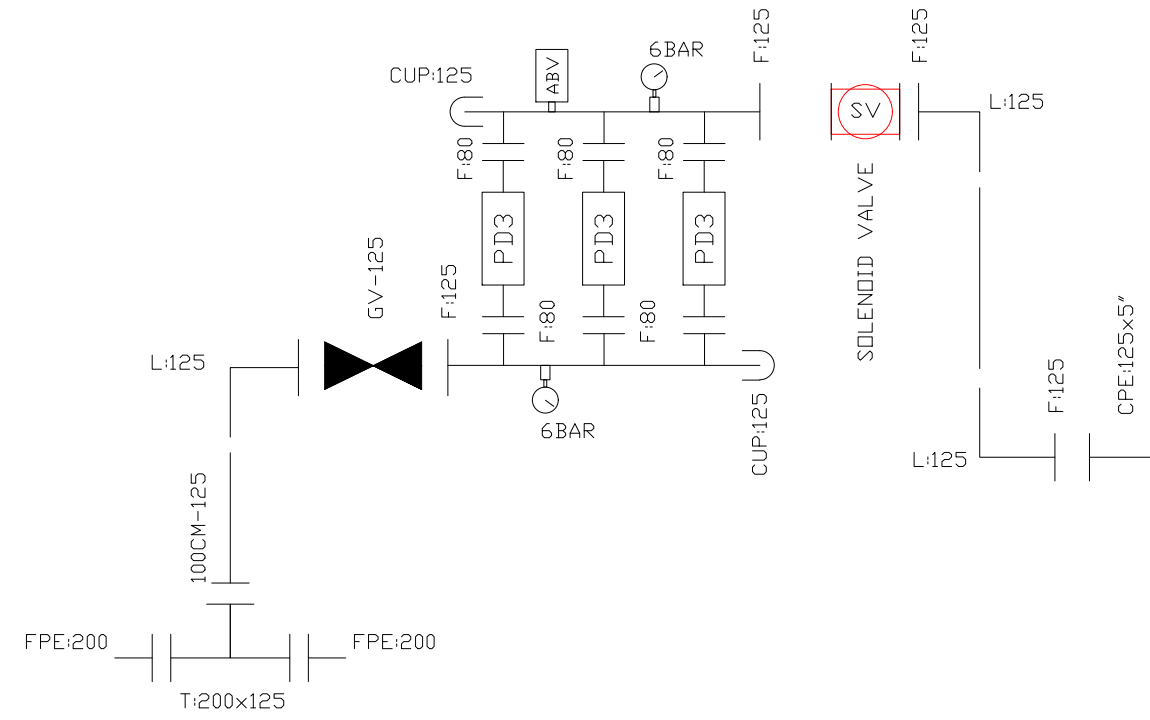


D8x2

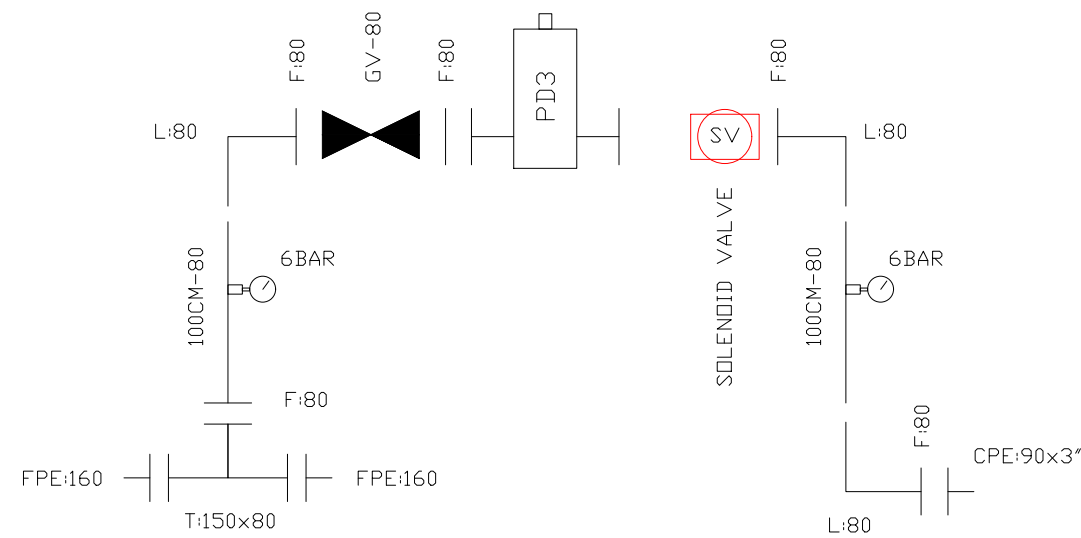


		PROJ.NO	CLIENT: SIRJAN BONYAD CO. CONSULTANT: ABBAS RAHBAR	
DATE	SIGNATURE			
Abbas Rahbar	Abbas Rahbar	DESIGNED		
Abbas Rahbar		DRAWN	SABZDASHT PISTACHIO ORCHARD S1 DRIP TO SUB-SURFACE PROJECT	SCALE FIT:A3
		CHECKED		
		APPROVED		
PRESSURIZED IRRIGATION	FIELD		DETAILS-113Ha	UNITS: METRIC
			DWG.NO.GE-PISTACHIO-SDI-2/7	

D9x1

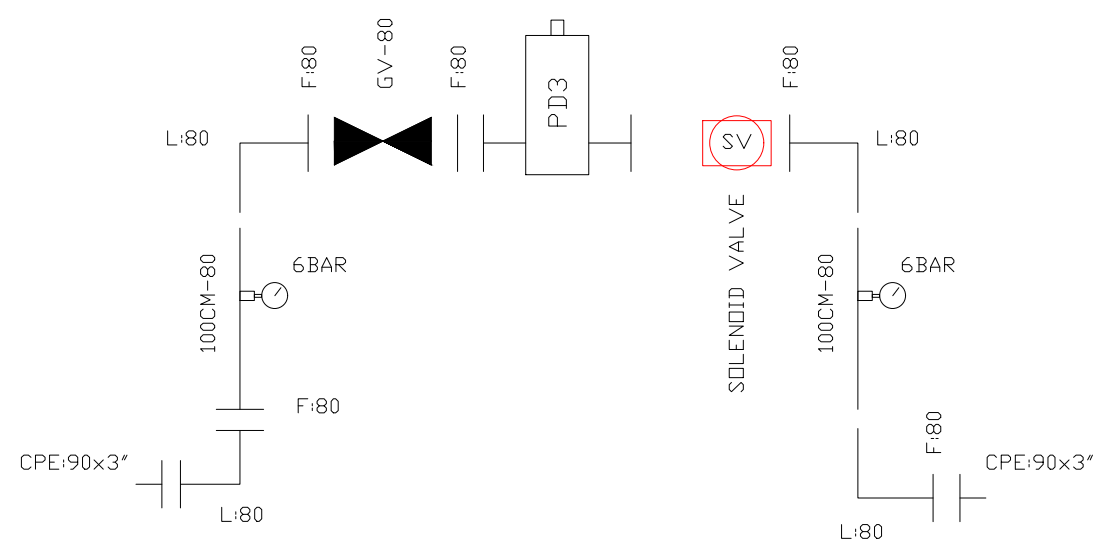


D10x1



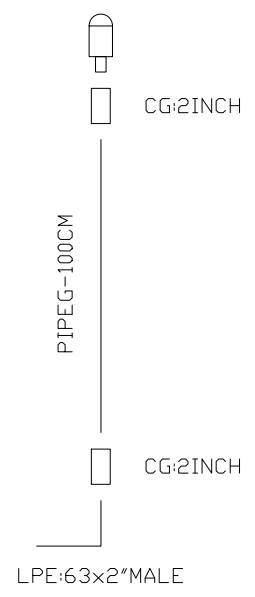
DATE		SIGNATURE	PROJ.NO	CLIENT: SIRJAN BONYAD CO. CONSULTANT: ABBAS RAHBAR	
Abbas Rahbar		Abbas Rahbar	DESIGNED	SABZDASHT PISTACHIO ORCHARD S1 DRIP TO SUB-SURFACE PROJECT	
Abbas Rahbar			DRAWN		
			CHECKED	DETAILS-113Ha	
			APPROVED		
PRESSURIZED IRRIGATION		FIELD		DWG.NO.GE-PISTACHIO-SDI-2/7	

D11x1

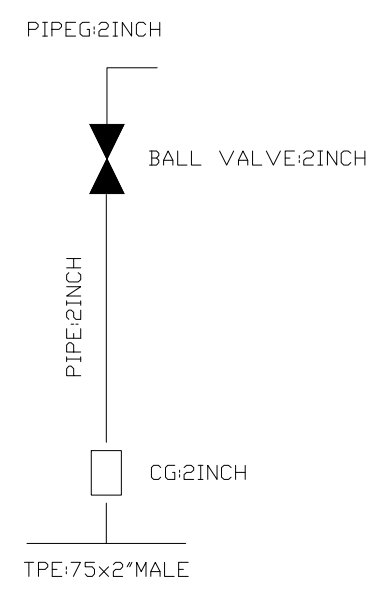


D14x15

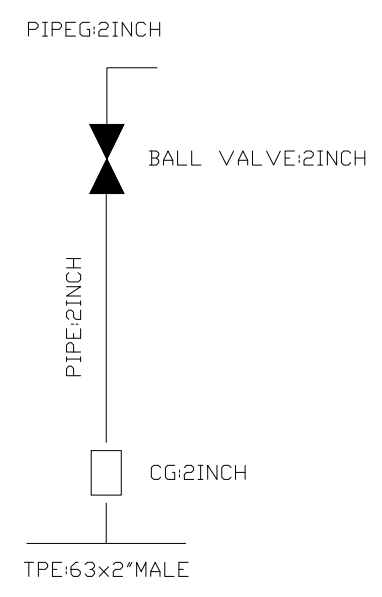
2INCH AIR VACCUM/RELIEF VALVE



D13x51



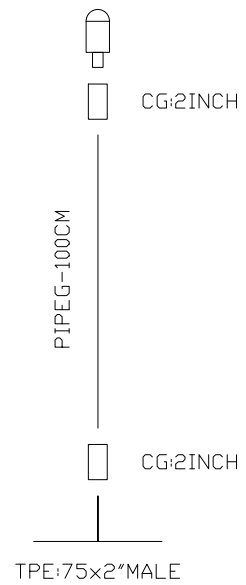
D12x30



		PROJ.NO	CLIENT: SIRJAN BONYAD CO.	
DATE	SIGNATURE		CONSULTANT: ABBAS RAHBAR	
Abbas Rahbar	Abbas Rahbar	DESIGNED	SABZDASHT PISTACHIO ORCHARD S1 DRIP TO SUB-SURFACE PROJECT	SCALE FIT:A3
		DRAWN		
		CHECKED	DETAILS-113Ha	UNITS: METRIC
		APPROVED		
PRESSURIZED IRRIGATION	FIELD		DWG.NO.GE-PISTACHIO-SDI-2/7	

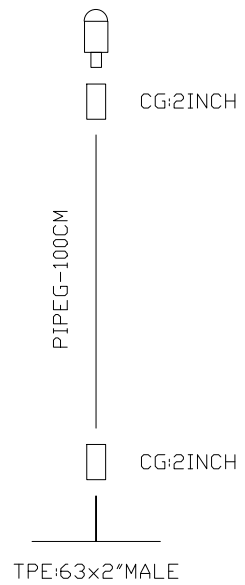
D17x38

2INCH AIR VACCUM/RELIEF VALVE



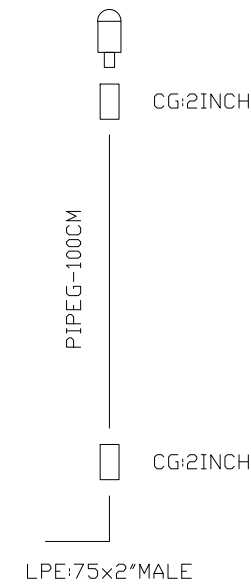
D16x1

2INCH AIR VACCUM/RELIEF VALVE



D15x21

2INCH AIR VACCUM/RELIEF VALVE



		PROJ.NO	CLIENT: SIRJAN BONYAD CO.	
DATE	SIGNATURE		CONSULTANT: ABBAS RAHBAR	
Abbas Rahbar	Abbas Rahbar	DESIGNED	SABZDASHT PISTACHIO ORCHARD S1 DRIP TO SUB-SURFACE PROJECT	SCALE FIT:A3
		DRAWN		
		CHECKED	DETAILS-113Ha	UNITS: METRIC
		APPROVED		
PRESSURIZED IRRIGATION	FIELD		DWG.NO.GE-PISTACHIO-SDI-2/7	