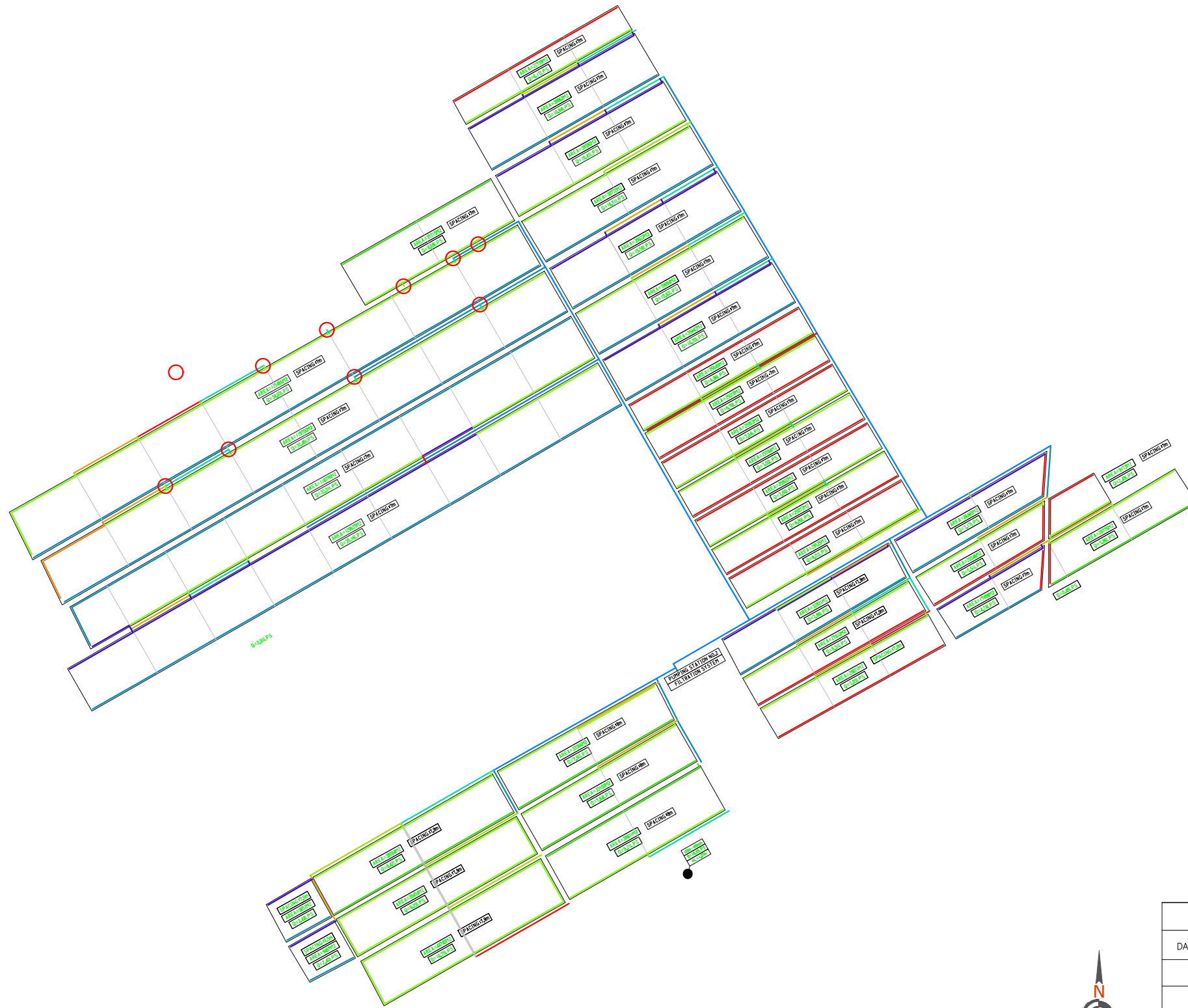


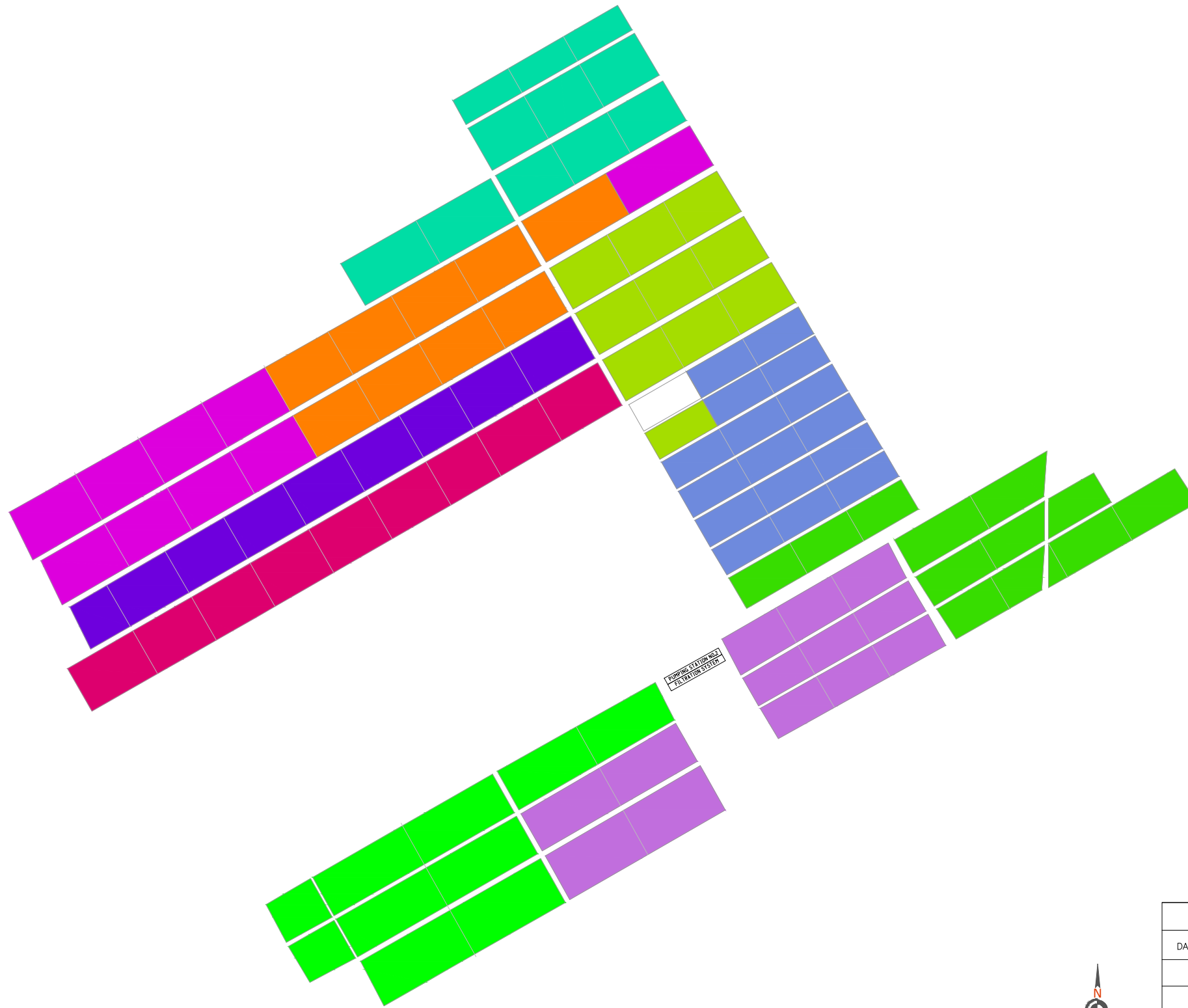
		PROJ.NO	CLIENT: SIRJAN BONYAD AGRICULTURAL CO. CONSULTANT: ABBAS RAHBAR	
DATE	SIGNATURE			
	Abbas Rahbar Abbas Rahbar	DESIGNED	SABZDASHT PISTACHIO ORCHARD S2 DRIP TO SUB-SURFACE PROJECT	SCALE FIT:A1
	Abbas Rahbar	DRAWN		
		CHECKED		
		APPROVED		
PRESSURIZED IRRIGATION		FIELD	AREA AND DISCHARGE-162 Ha DWG.NO.GE-PISTACHIO-SDI-1/4	UNITS: METRIC



250mm-PE100-PN6	
200mm-PE100-PN6	
160mm-PE100-PN6	
125mm-PE100-PN8	
110mm-PE100-PN8	
90mm-PE100-PN6	
75mm-PE100-PN6	
63mm-PE100-PN6	
50mm-PE100-PN6	
LATERAL-20-60-2	
LATERAL-16-60-2	



		PROJ.NO	CLIENT: SIRJAN BONYAD AGRICALTURAL CO. CONSULTANT: ABBAS RAHBAR	
DATE	SIGNATURE	DESIGNED	SABZDASHT PISTACHIO ORCHARD S2 DRIP TO SUB-SURFACE PROJECT	SCALE FIT:A1
	Abbas Rahbar Abbas Rahbar	DRAWN		
	Abbas Rahbar	CHECKED	NETWORK LAYOUT-162 Ha	UNITS: METRIC
		APPROVED		
PRESSURIZED IRRIGATION	FIELD		DWG.NO.GE-PISTACHIO-SDI-2/4	

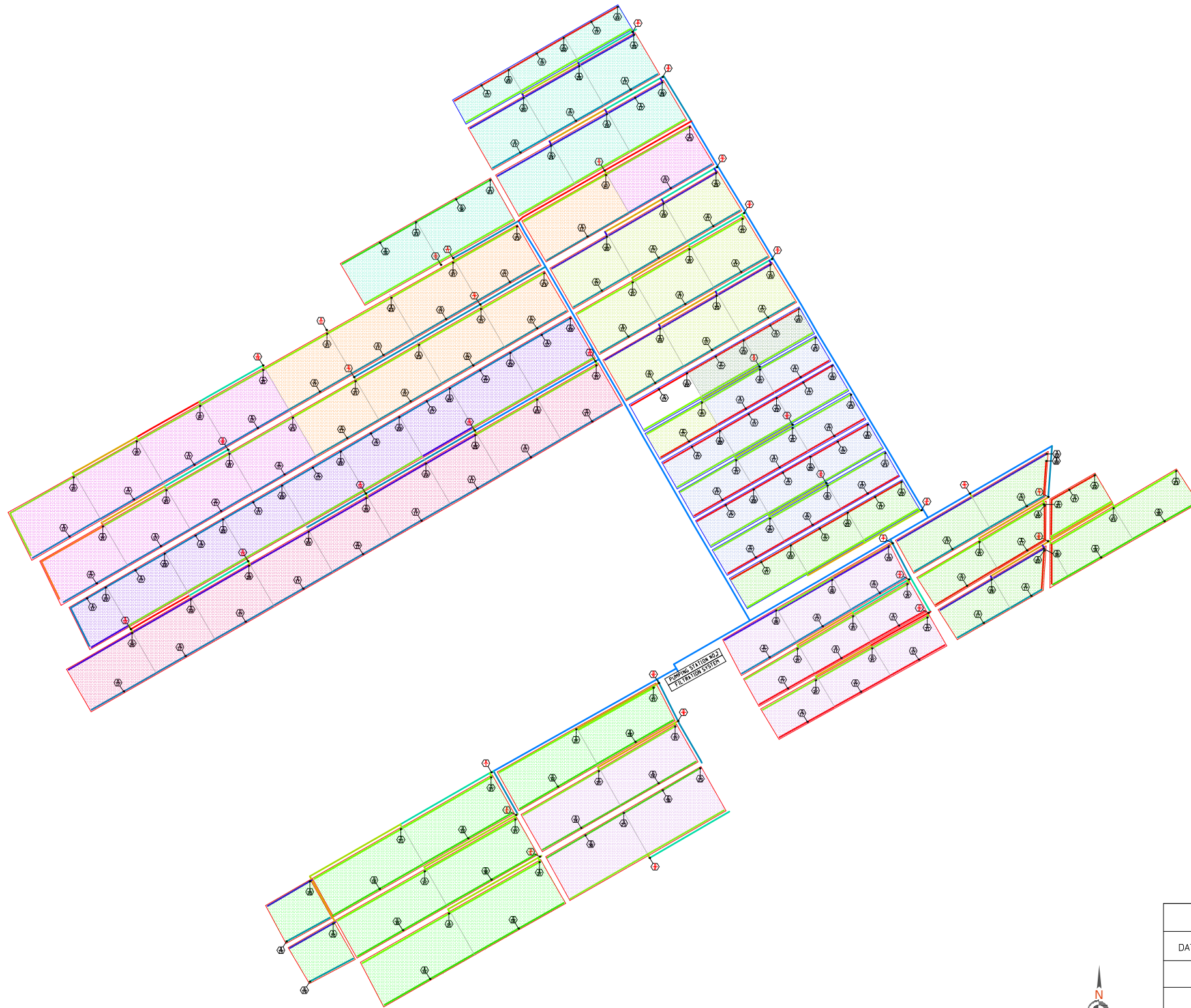


TOTAL Q=370.60LPS

SHIFT NO.1	Q=36.75LPS	
SHIFT NO.2	Q=38.50LPS	
SHIFT NO.3	Q=38.50LPS	
SHIFT NO.4	Q=32.21LPS	
SHIFT NO.5	Q=35.16LPS	
SHIFT NO.6	Q=36.68LPS	
SHIFT NO.7	Q=37.00LPS	
SHIFT NO.8	Q=35.18LPS	
SHIFT NO.9	Q=38.47LPS	
SHIFT NO.10	Q=42.15LPS	

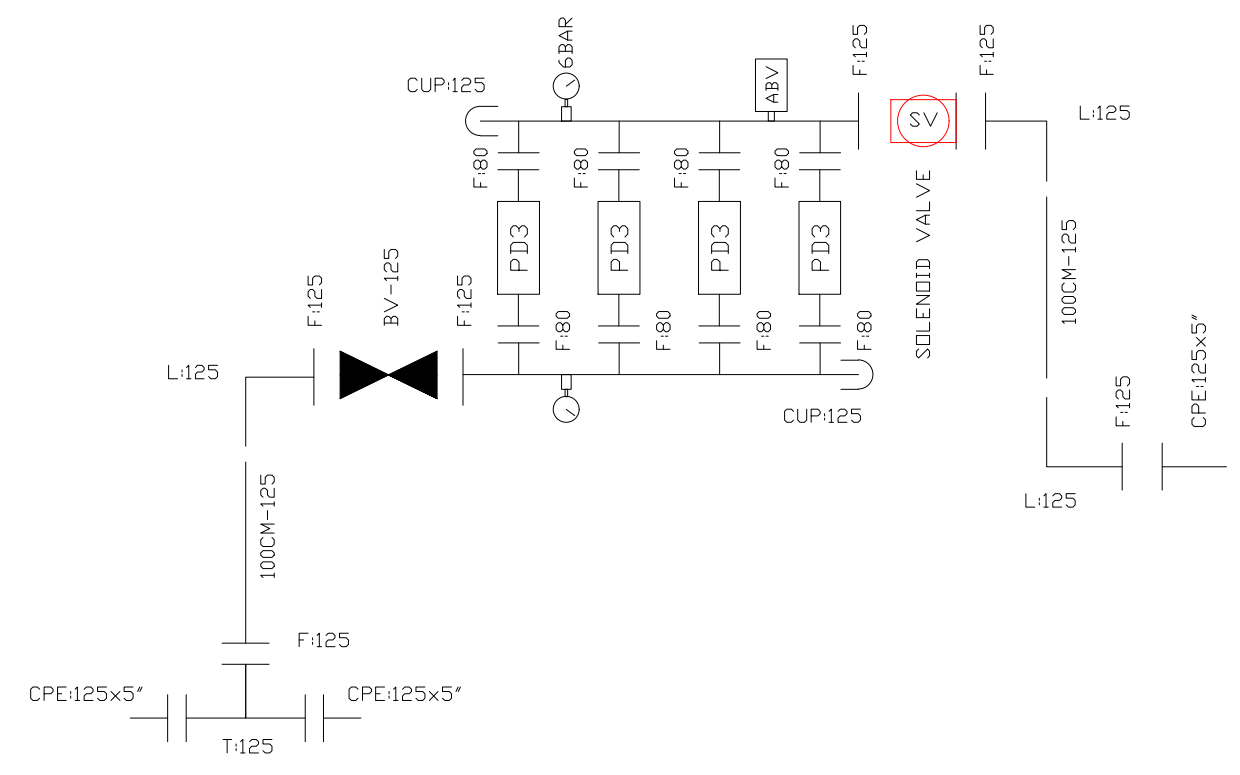


		PROJ.NO	CLIENT: SIRJAN BONYAD AGRICALTURAL CO. CONSULTANT: ABBAS RAHBAR	
DATE	SIGNATURE			
	Abbas Rahbar Abbas Rahbar	DESIGNED		
	Abbas Rahbar	DRAWN	SABZDASHT PISTACHIO ORCHARD S2 DRIP TO SUB-SURFACE PROJECT	SCALE FIT:A1
		CHECKED		
		APPROVED		
PRESSURIZED IRRIGATION		FIELD	IRRIGATION SHIFTS-162 Ha DWG.NO.GE-PISTACHIO-SDI-3/4	UNITS: METRIC

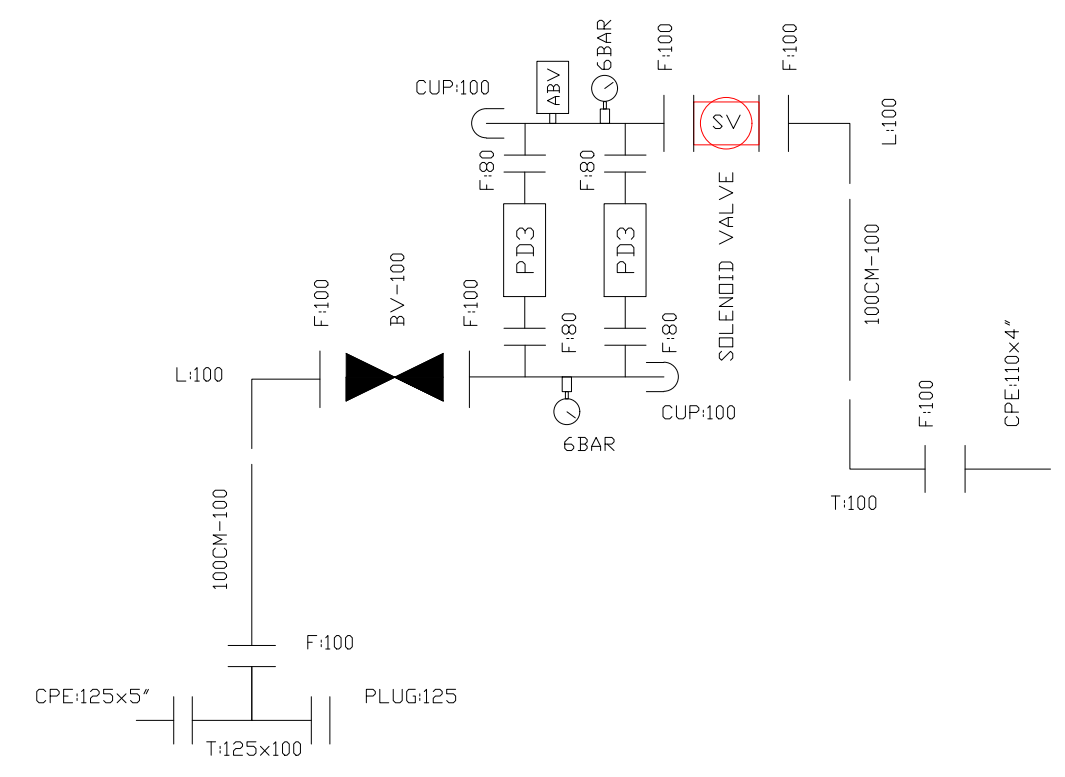


		PROJ.NO	CLIENT: SIRJAN BONYAD AGRICULTURAL CO. CONSULTANT: ABBAS RAHBAR	
DATE	SIGNATURE		SABZDASHT PISTACHIO ORCHARD S2 DRIP TO SUB-SURFACE PROJECT	SCALE FIT:A1
	Abbas Rahbar Abbas Rahbar	DESIGNED		
	Abbas Rahbar	DRAWN	CRITICAL SHIFT HYDRAULIC-NO.1	UNITS: METRIC
		CHECKED		
		APPROVED	DWG.NO.GE-PISTACHIO-SDI-4/4	
PRESSURIZED IRRIGATION		FIELD		

D1x2

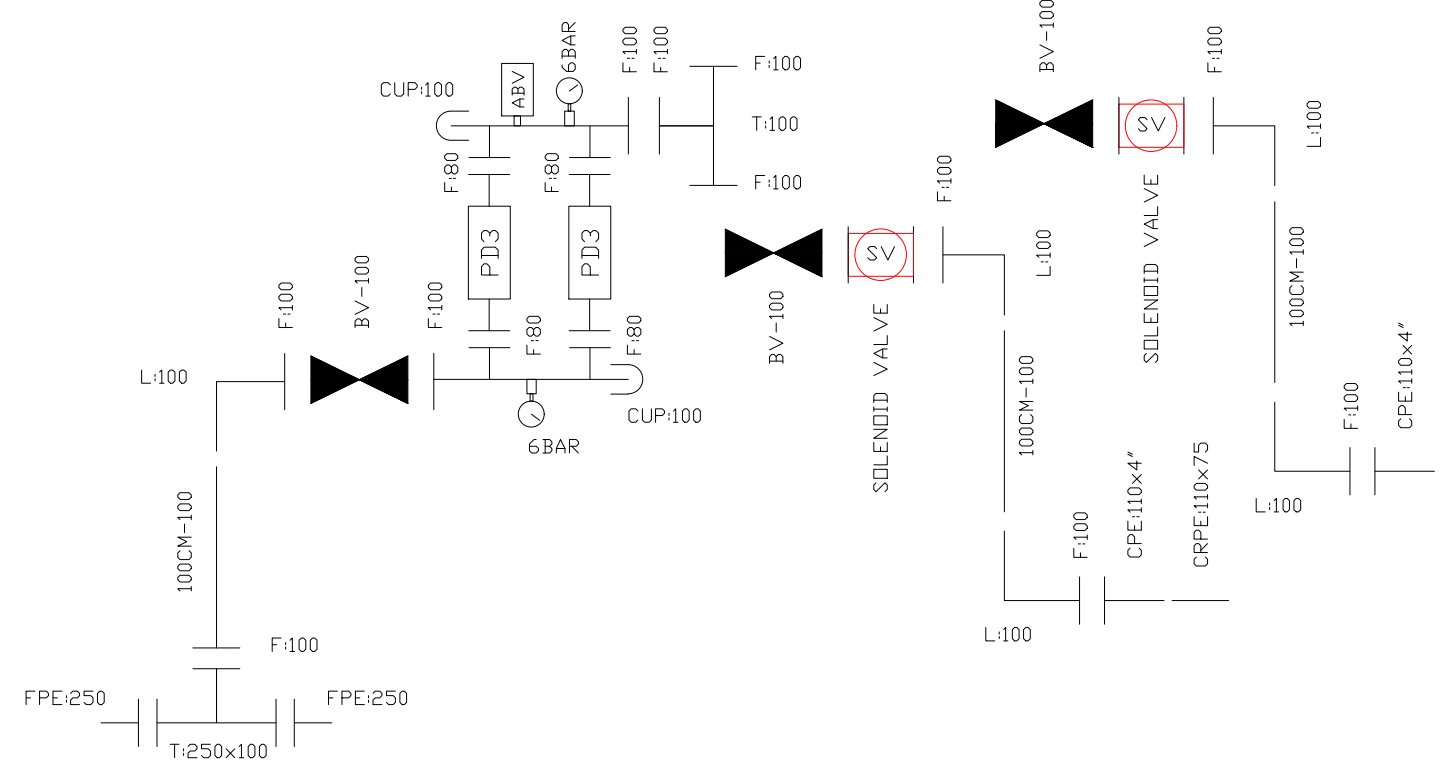


D2x7

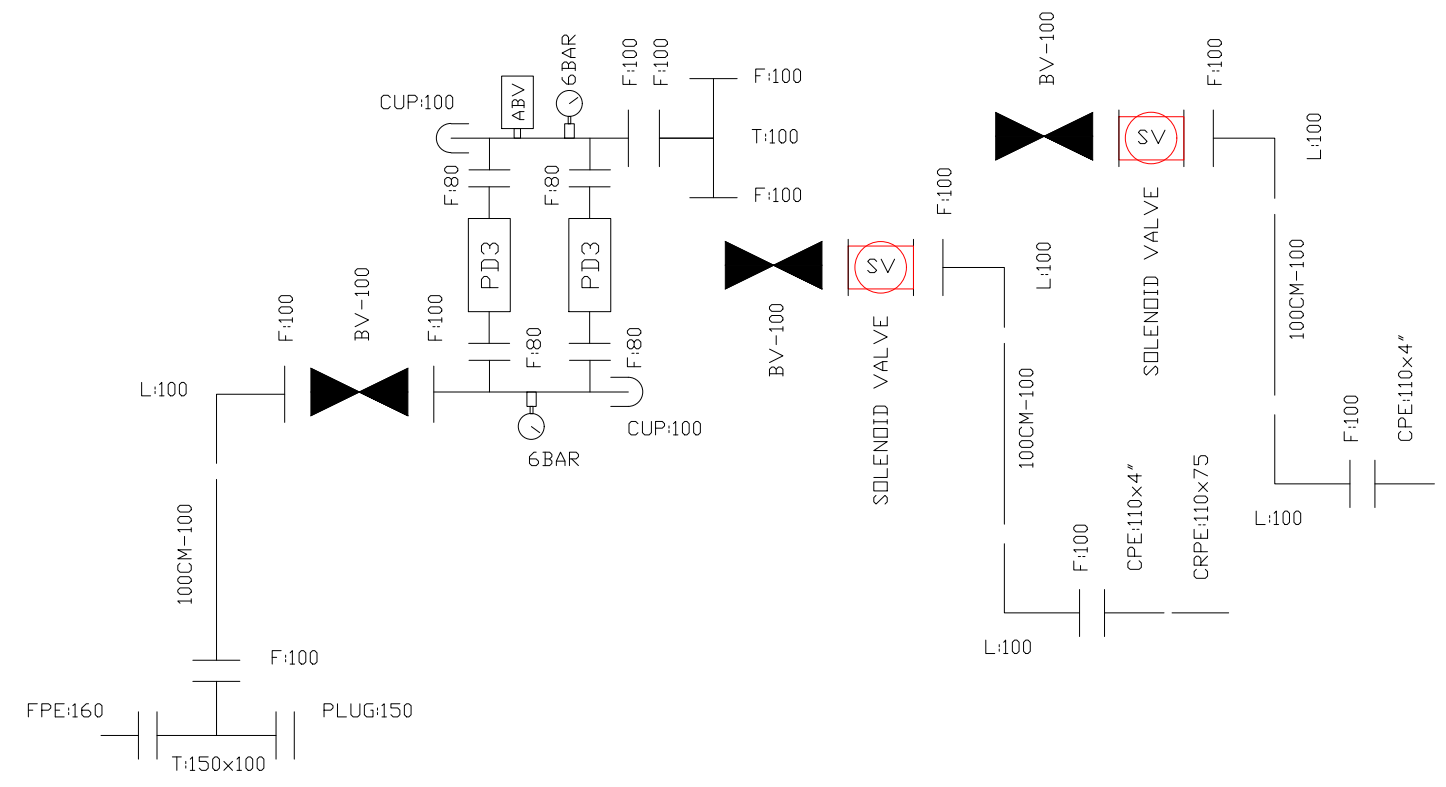


		PROJ.NO	CLIENT: SIRJAN BONYAD AGRICUTURAL CO.	
DATE	SIGNATURE		CONSULTANT: ABBAS RAHBAR	
Abbas Rahbar	Abbas Rahbar	DESIGNED		
Abbas Rahbar		DRAWN	SABZDASHT PISTACHIO ORCHARD P2	SCALE FIT:A3
		CHECKED	DRIP TO SUB-SURFACE PROJECT	
		APPROVED		
PRESSURIZED IRRIGATION	FIELD		DETAILs-162Ha	UNITS: METRIC
			DWENOLGE-P/STACHIO-SDI-1/10	

D3x2

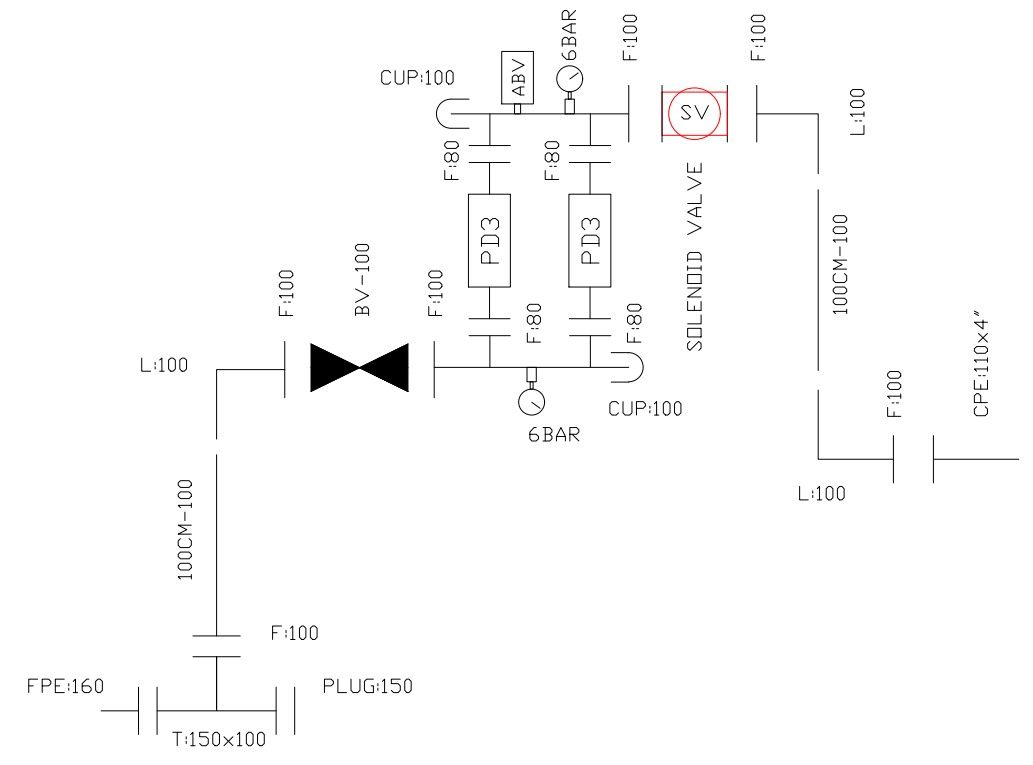


D4x1

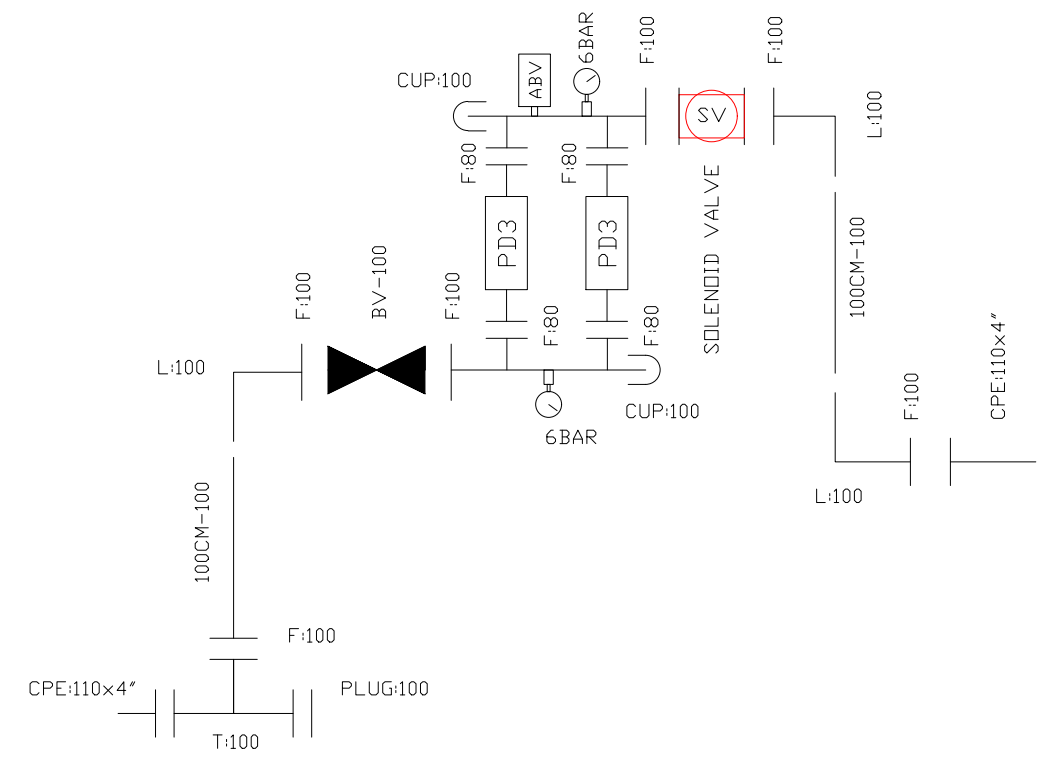


		PROJ.NO	CLIENT: SIRJAN BONYAD AGRICUTURAL CO.	
DATE	SIGNATURE		CONSULTANT: ABBAS RAHBAR	
Abbas Rahbar	Abbas Rahbar	DESIGNED		
Abbas Rahbar		DRAWN	SABZDASHT PISTACHIO ORCHARD P2	SCALE FIT:A3
		CHECKED	DRIP TO SUB-SURFACE PROJECT	
		APPROVED		
PRESSURIZED IRRIGATION	FIELD		DETAILS-162Ha	UNITS: METRIC
			DETAILS: 2/10	

D5x2

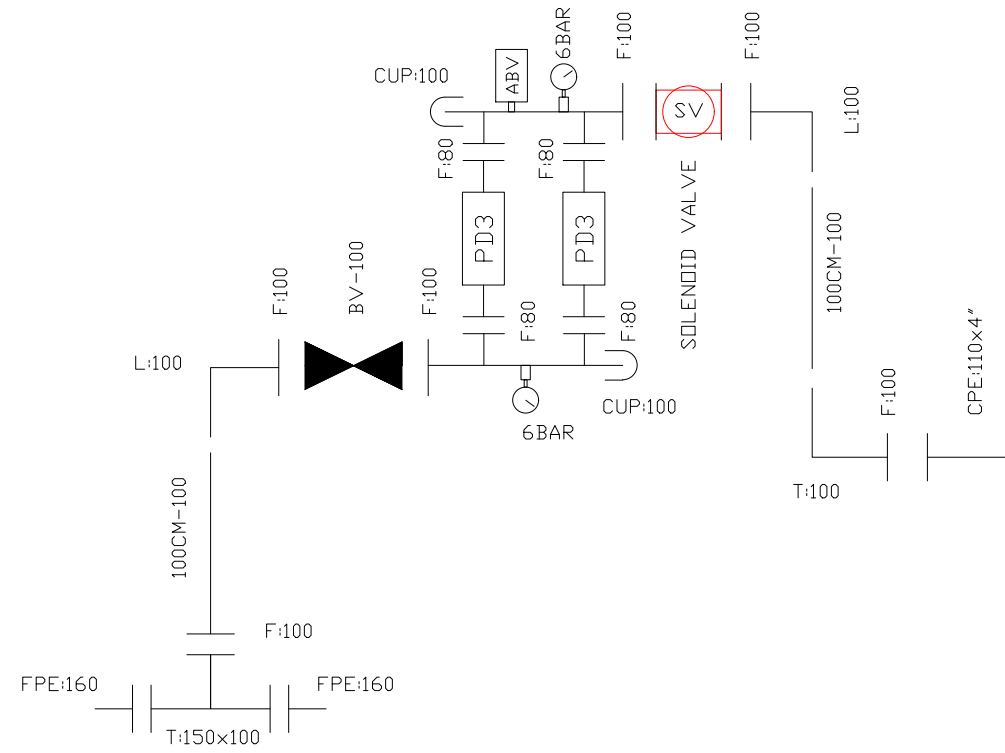


D6x3

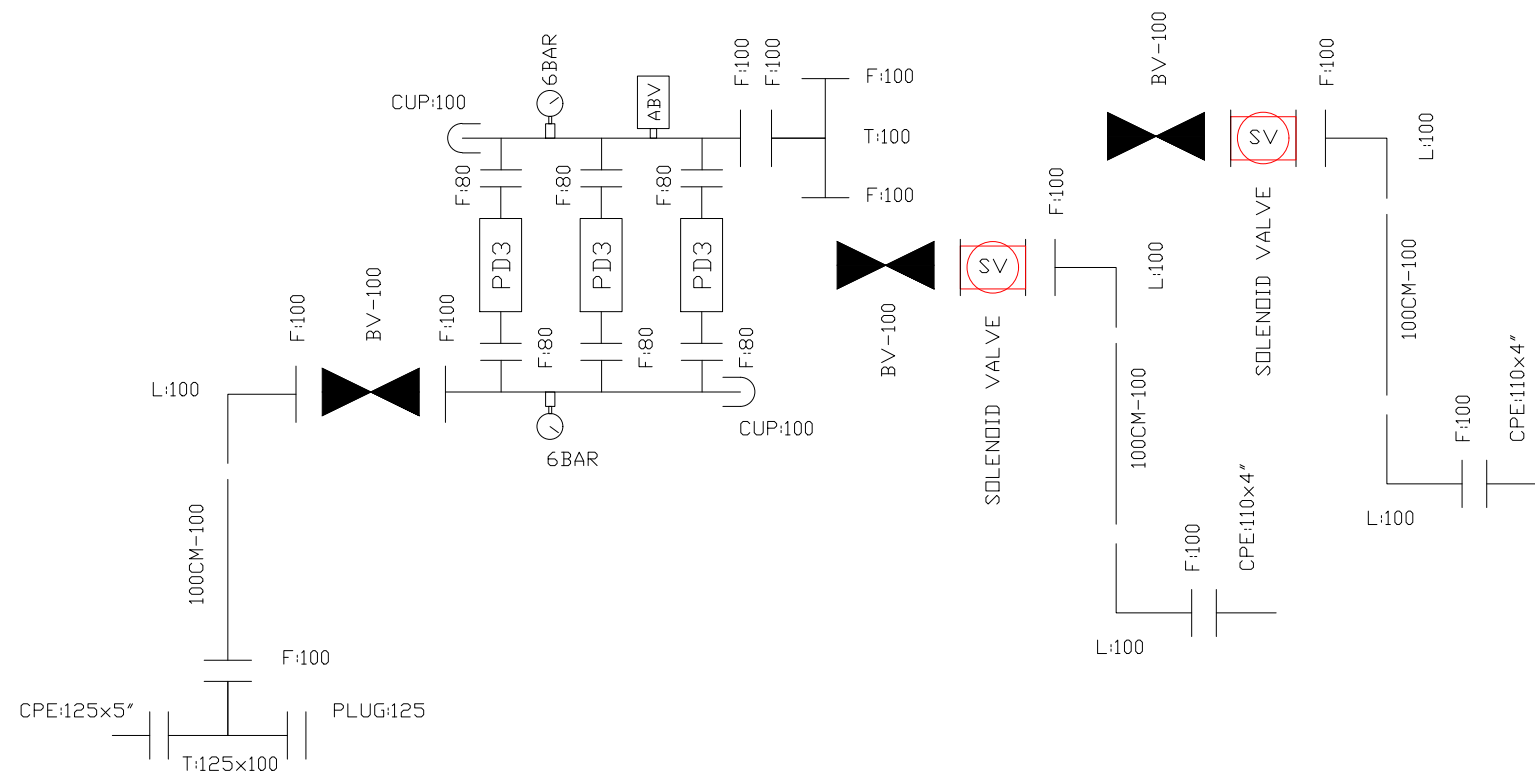


		PROJ.NO	CLIENT: SIRJAN BONYAD AGRICUTURAL CO. CONSULTANT: ABBAS RAHBAR	
DATE	SIGNATURE			
Abbas Rahbar	Abbas Rahbar	DESIGNED		
Abbas Rahbar		DRAWN	SABZDASHT PISTACHIO ORCHARD P2 DRIP TO SUB-SURFACE PROJECT	SCALE FIT:A3
		CHECKED		
		APPROVED		
PRESSURIZED IRRIGATION	FIELD		DETAILS-162Ha	UNITS: METRIC
			DETAILS: 3/10	

D11x2



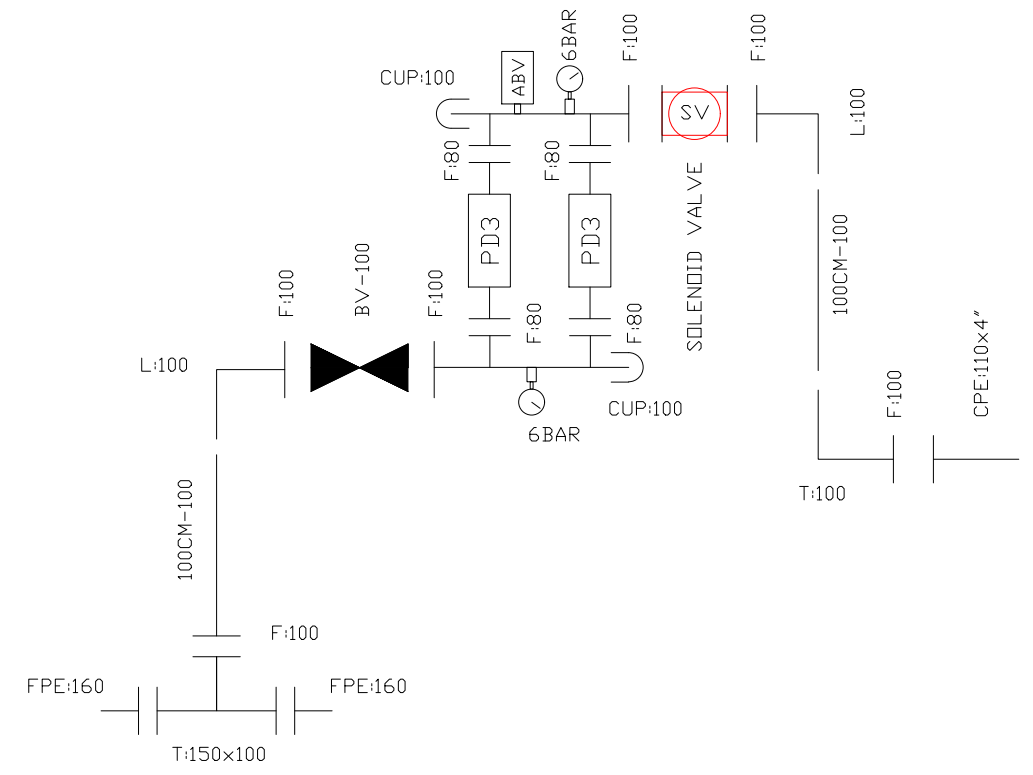
D12x1



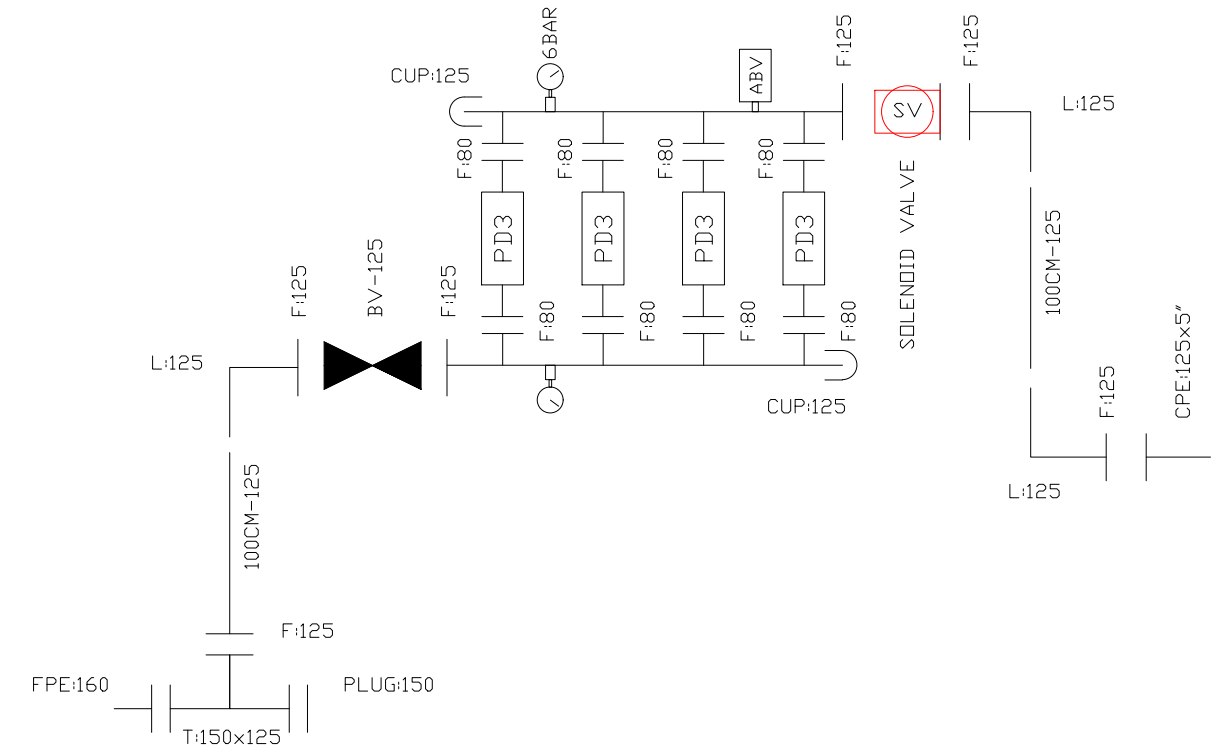
		PROJ.NO	CLIENT: SIRJAN BONYAD AGRICUTURAL CO. CONSULTANT: ABBAS RAHBAR	
DATE	SIGNATURE			
Abbas Rahbar	Abbas Rahbar	DESIGNED		
Abbas Rahbar		DRAWN	SABZDASHT PISTACHIO ORCHARD P2 DRIP TO SUB-SURFACE PROJECT	SCALE FIT:A3
		CHECKED		
		APPROVED		
PRESSURIZED IRRIGATION	FIELD		DETAILS-162Ha	UNITS: METRIC
			DETAILS: 6/10	



D9x3

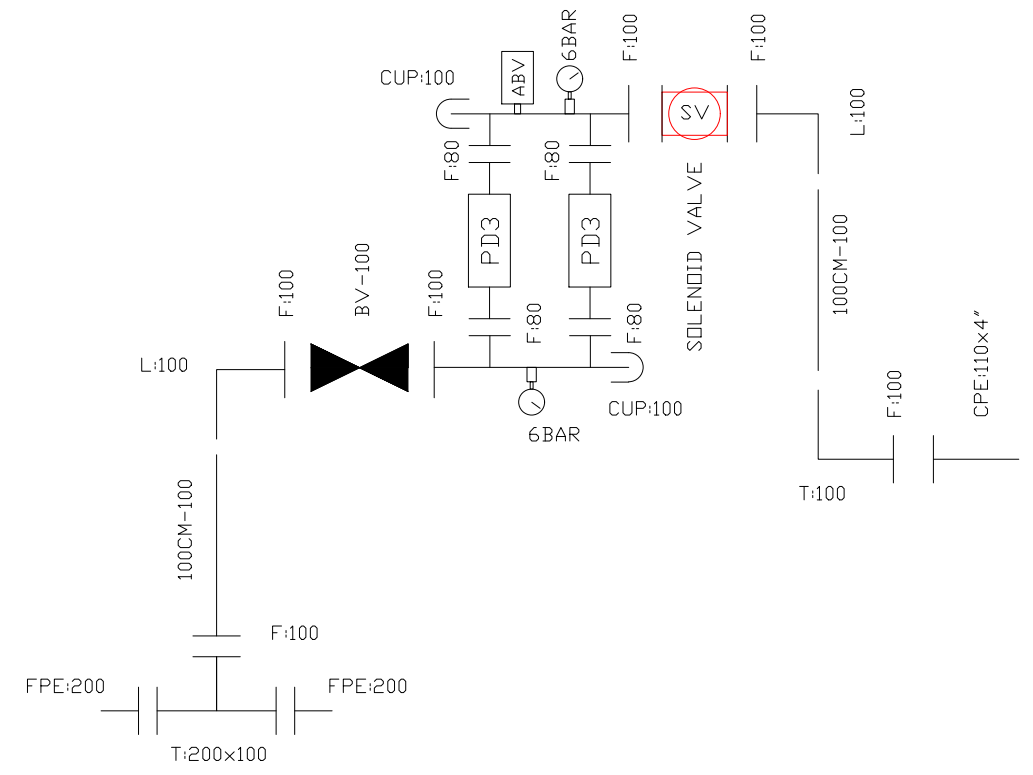


D10x1

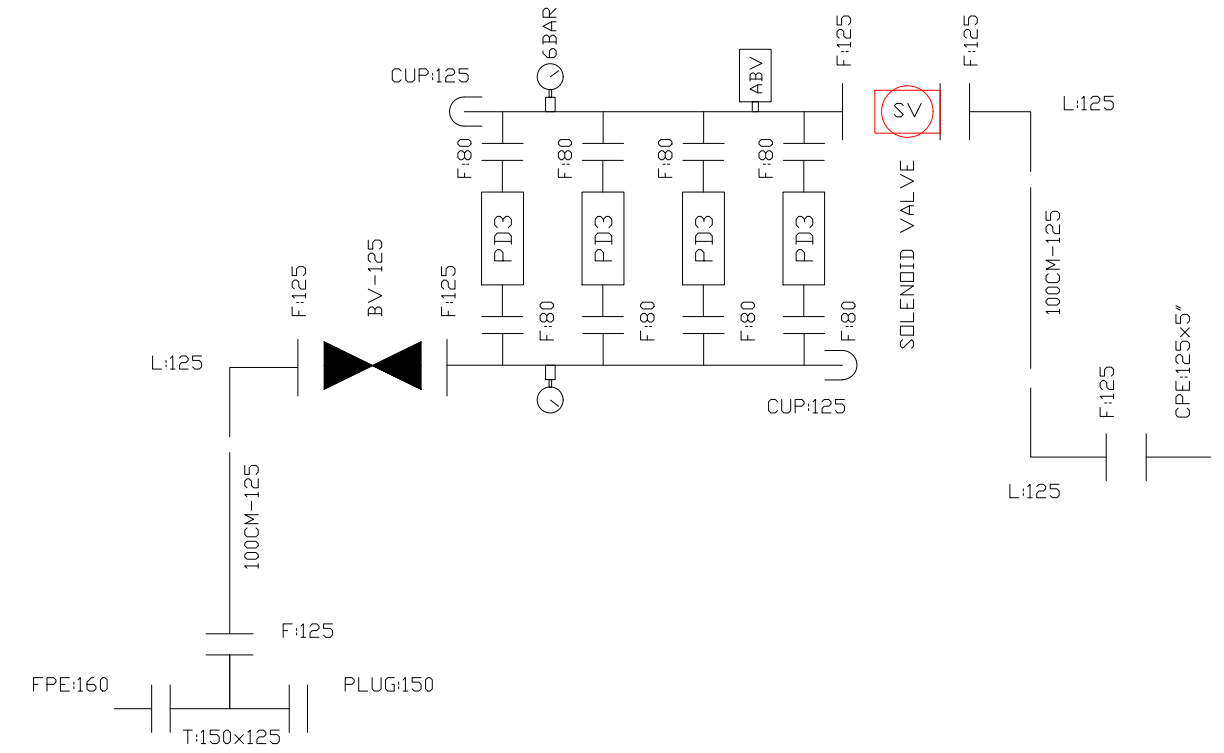


DATE		SIGNATURE	PROJ.NO	CLIENT: SIRJAN BONYAD AGRICUTURAL CO. CONSULTANT: ABBAS RAHBAR	
		Abbas Rahbar	DESIGNED	SABZDASHT PISTACHIO ORCHARD P2 DRIP TO SUB-SURFACE PROJECT	
		Abbas Rahbar	DRAWN		
			CHECKED	DETAILS-162Ha	
			APPROVED		
PRESSURIZED IRRIGATION	FIELD		DETAILS: 5/10		

D7x4

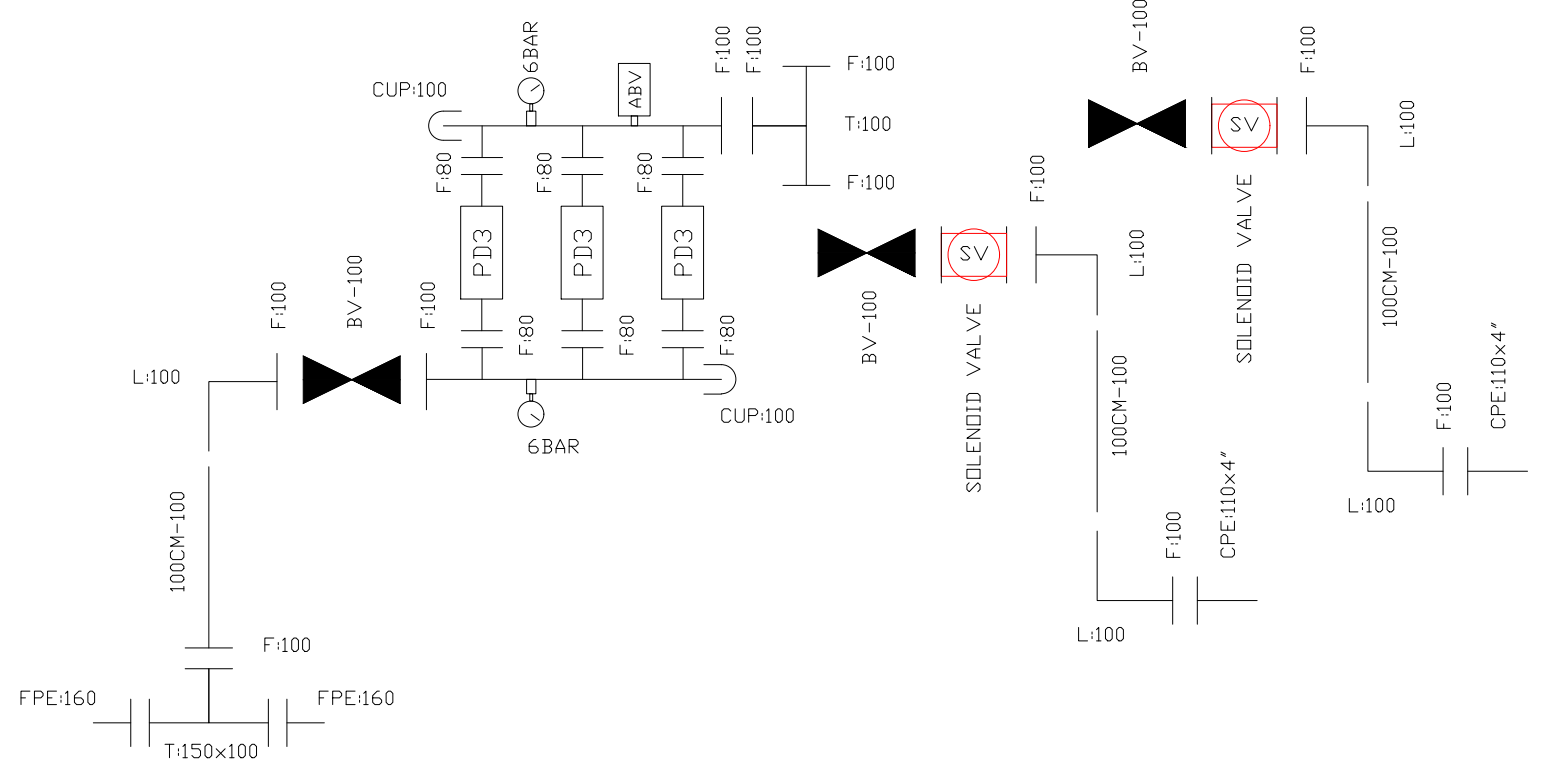


D8x2

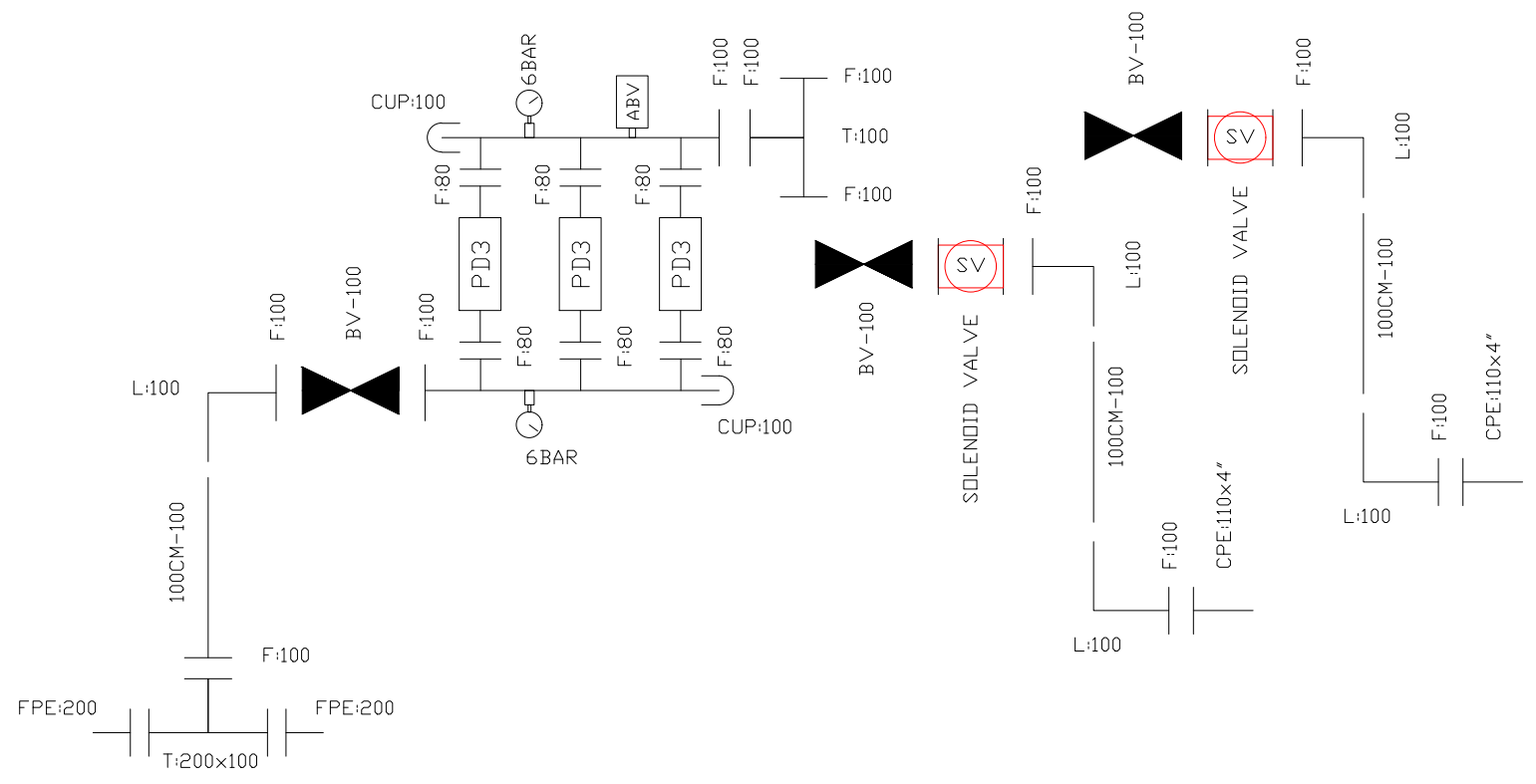


DATE		SIGNATURE	PROJ.NO	CLIENT: SIRJAN BONYAD AGRICUTURAL CO. CONSULTANT: ABBAS RAHBAR	
Abbas Rahbar		Abbas Rahbar	DESIGNED	SABZDASHT PISTACHIO ORCHARD P2 DRIP TO SUB-SURFACE PROJECT	
Abbas Rahbar		Abbas Rahbar	DRAWN		
			CHECKED	DETAILS-162Ha	
			APPROVED		
PRESSURIZED IRRIGATION	FIELD			DETAILS: 4/10	

D13x1

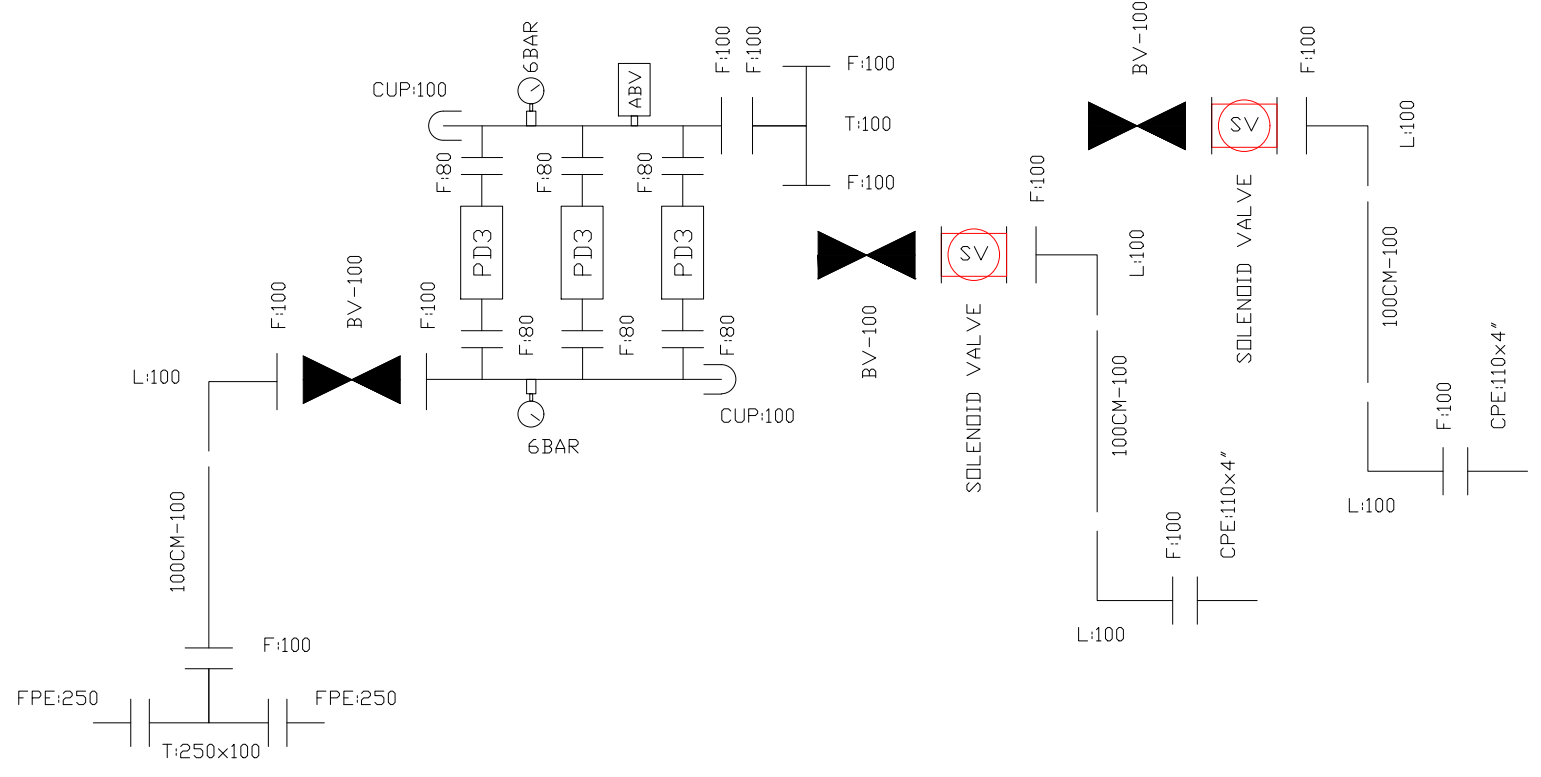


D14x1

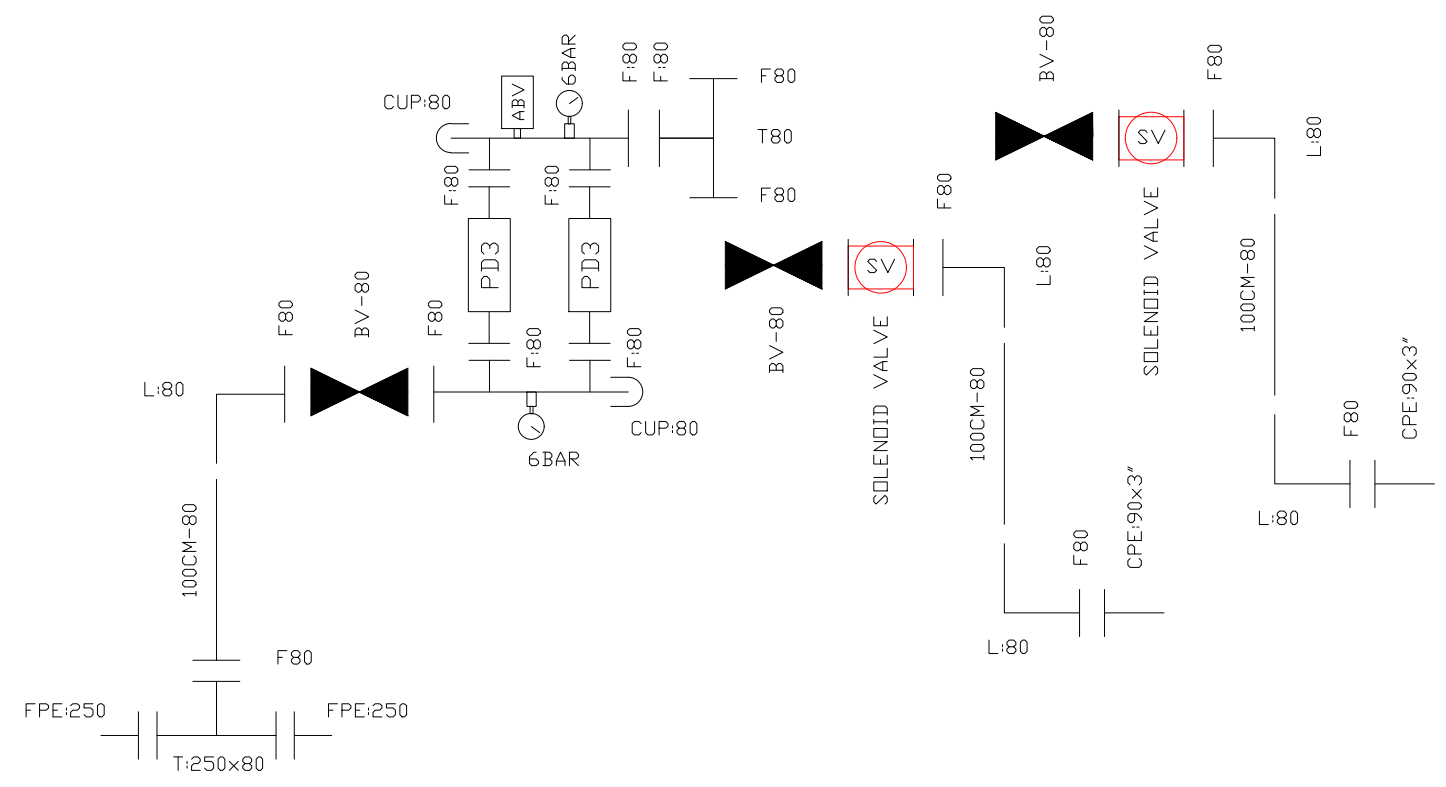


DATE		SIGNATURE	PROJ.NO	CLIENT: SIRJAN BONYAD AGRICULTURAL CO. CONSULTANT: ABBAS RAHBAR	
Abbas Rahbar		Abbas Rahbar	DESIGNED	SABZDASHT PISTACHIO ORCHARD P2 DRIP TO SUB-SURFACE PROJECT	
Abbas Rahbar		Abbas Rahbar	DRAWN		
			CHECKED	DETAILS-162Ha	
			APPROVED		
PRESSURIZED IRRIGATION		FIELD		DETAILS: 7/10	

D15x1

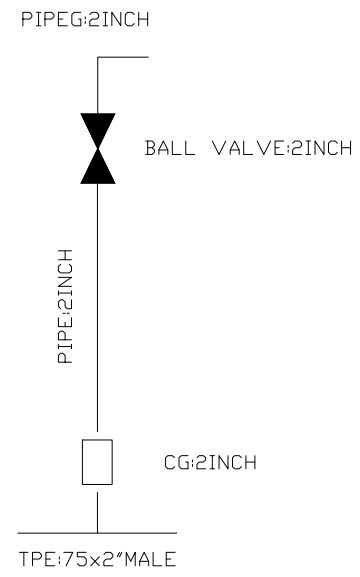


D16x1

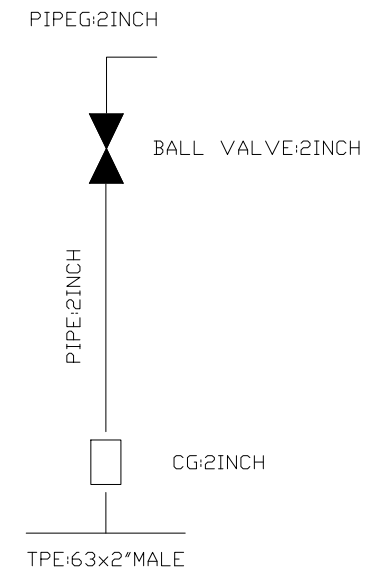


		PROJ.NO	CLIENT: SIRJAN BONYAD AGRICUTURAL CO.	
DATE	SIGNATURE		CONSULTANT: ABBAS RAHBAR	
Abbas Rahbar	Abbas Rahbar	DESIGNED	SABZDASHT PISTACHIO ORCHARD P2 DRIP TO SUB-SURFACE PROJECT	SCALE FIT:A3
		DRAWN		
		CHECKED		
		APPROVED		
PRESSURIZED IRRIGATION	FIELD		DETAILS-162Ha	UNITS: METRIC
			DETAILS: 8/10	

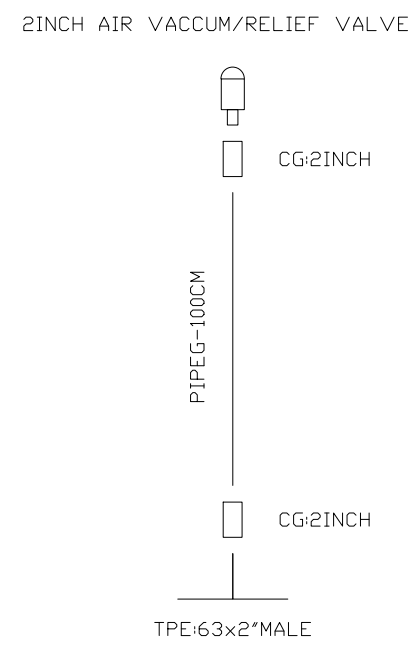
D18x16



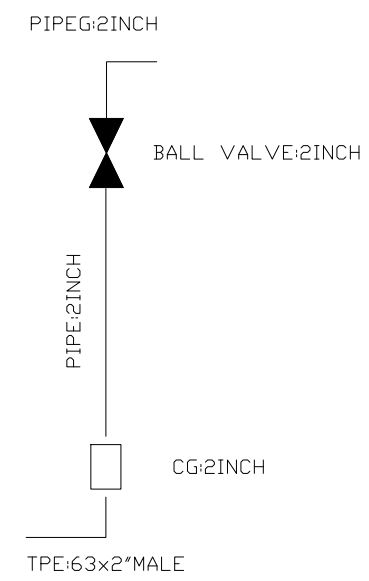
D17x88



D20x24



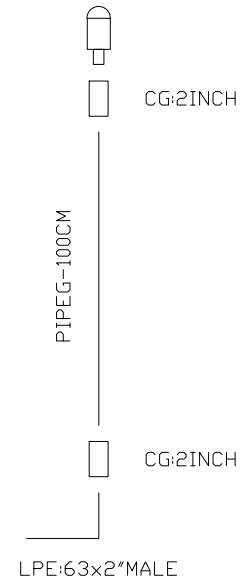
D19x2



		PROJ.NO	CLIENT: SIRJAN BONYAD AGRICUTURAL CO.	
DATE	SIGNATURE		CONSULTANT: ABBAS RAHBAR	
Abbas Rahbar	Abbas Rahbar	DESIGNED	SABZDASHT PISTACHIO ORCHARD P2 DRIP TO SUB-SURFACE PROJECT	SCALE FIT:A3
		CHECKED		
		APPROVED	DETAILS-162Ha	UNITS: METRIC
PRESSURIZED IRRIGATION	FIELD			DETAILS: 9/10

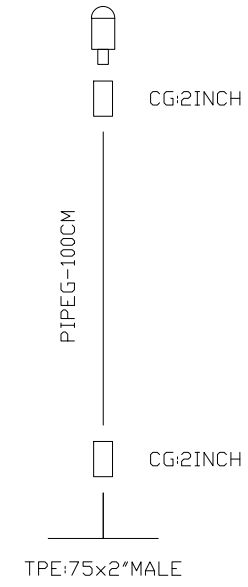
D22x32

2INCH AIR VACCUM/RELIEF VALVE



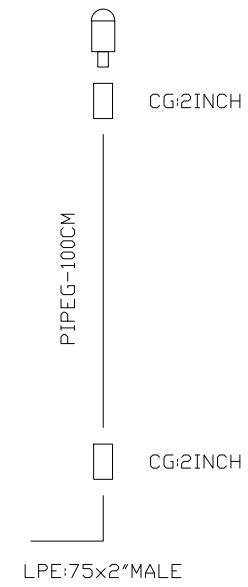
D21x40

2INCH AIR VACCUM/RELIEF VALVE



D23x16

2INCH AIR VACCUM/RELIEF VALVE



		PROJ.NO	CLIENT: SIRJAN BONYAD AGRICUTURAL CO.	
DATE	SIGNATURE		CONSULTANT: ABBAS RAHBAR	
Abbas Rahbar	Abbas Rahbar	DESIGNED	SABZDASHT PISTACHIO ORCHARD P2 DRIP TO SUB-SURFACE PROJECT	SCALE FIT:A3
		DRAWN		
		CHECKED	DETAILS-162Ha	UNITS: METRIC
		APPROVED		
PRESSURIZED IRRIGATION	FIELD		DETAILS: 10/10	