

200mm-PE100-PN6	
160mm-PE100-PN6	
125mm-PE100-PN8	
110mm-PE100-PN8	
90mm-PE100-PN6	
75mm-PE100-PN6	
63mm-PE100-PN6	
LATERAL-20-50-2	
LATERAL-16-50-2	



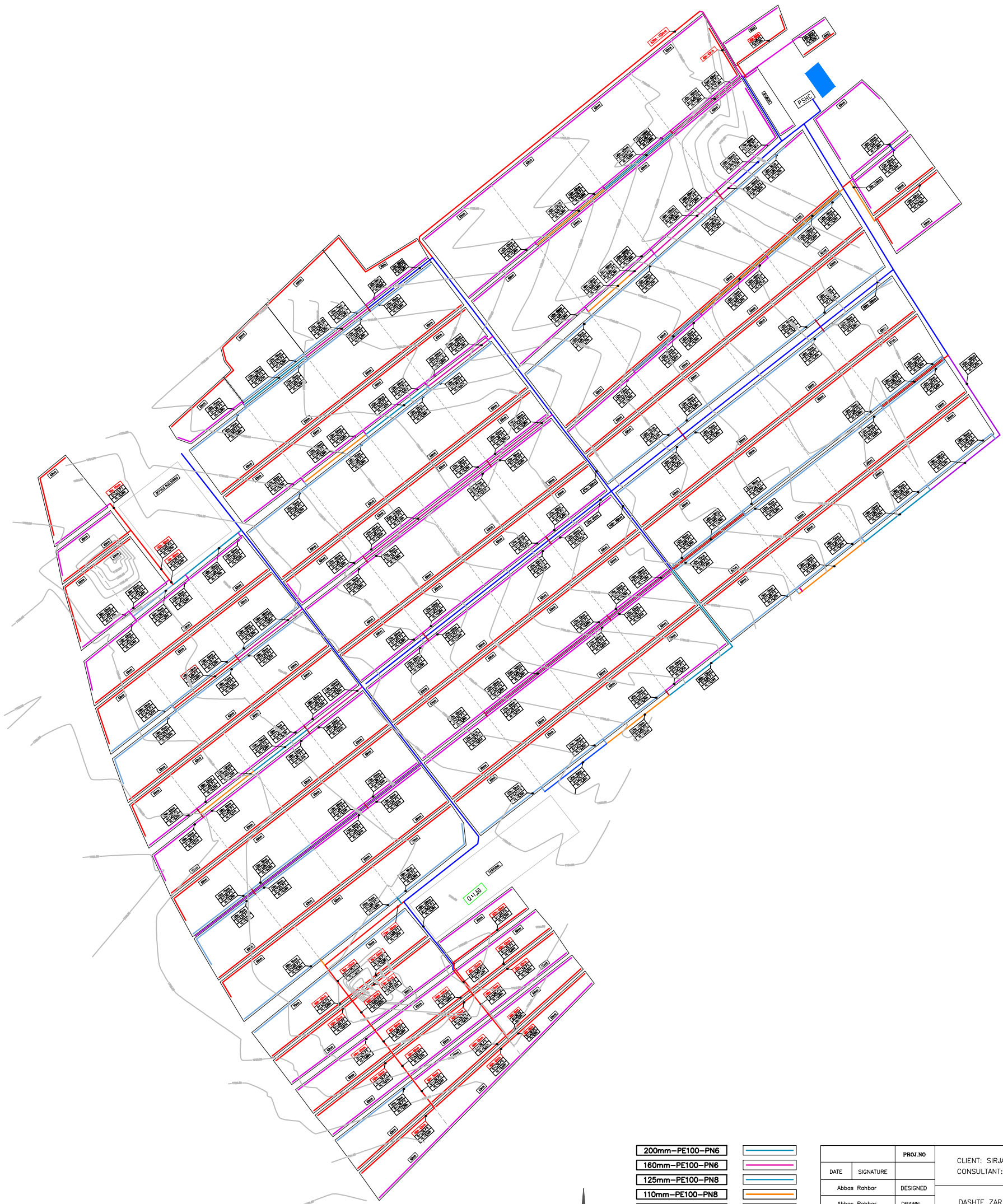
		PROJ.No	CLIENT: SIRJAN BONYAD CO. CONSULTANT: ABBAS RAHBAR	
DATE	SIGNATURE			
	Abbas Rahbar	DESIGNED		
	Abbas Rahbar	DRAWN	DASHTE ZAR PISTACHIO ORCHARD SUB SURFACE DRIP PROJECT	SCALE FIT:A1
		CHECKED		
		APPROVED	ORCHARDs AREA&DISCHARGE-142Ha	UNITS: METRIC
PRESSURIZED IRRIGATION	FIELD		DWG.NO.GE-PISTACHIO-SDI-4/4	



SHIFT NO.1	Q=36.36LPS	Light Blue
SHIFT NO.2	Q=38.92LPS	Orange
SHIFT NO.3	Q=36.28LPS	Yellow
SHIFT NO.4	Q=37.42LPS	Green
SHIFT NO.5	Q=38.81LPS	Light Green
SHIFT NO.6	Q=40.90LPS	Dark Green
SHIFT NO.7	Q=40.32LPS	Teal
SHIFT NO.8	Q=38.36LPS	Blue



DATE		SIGNATURE	PROJ.NO	CLIENT: SIRJAN BONYAD CO. CONSULTANT: ABBAS RAHBAR	
Abbas Rahbar		DESIGNED		DASHTE ZAR PISTACHIO ORCHARD SUB SURFACE DRIP PROJECT	
Abbas Rahbar		DRAWN		SCALE FIT:A1	
		CHECKED		UNITS: METRIC	
		APPROVED		IRRIGATION SHIFTS-142Hg	
PRESSURIZED IRRIGATION	FIELD			DWG.NO.GE-PISTACHIO-SDI-3/4	



200mm-PE100-PN6	
160mm-PE100-PN6	
125mm-PE100-PN8	
110mm-PE100-PN8	
90mm-PE100-PN6	
75mm-PE100-PN6	
63mm-PE100-PN6	
LATERAL-20-50-2	
LATERAL-16-50-2	

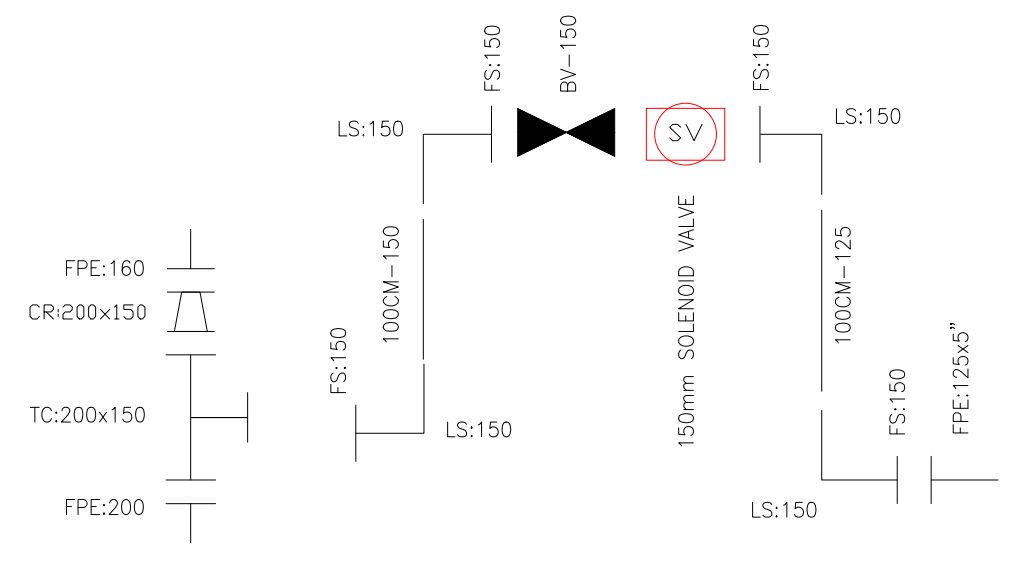
DATE		SIGNATURE		PROJ.NO	CLIENT: SIRJAN BONYAD CO. CONSULTANT: ABBAS RAHBAR	
		Abbas Rahbar	DESIGNED		DASHTE ZAR PISTACHIO ORCHARD SUB SURFACE DRIP PROJECT	SCALE FIT:A1
		Abbas Rahbar	DRAWN			
			CHECKED			
			APPROVED		ORCHARDS AREA&DISCHARGE-142Ha	UNITS: METRIC
PRESSURIZED IRRIGATION			FIELD		DWG.NO.GE-PISTACHIO-SDI-2/4	



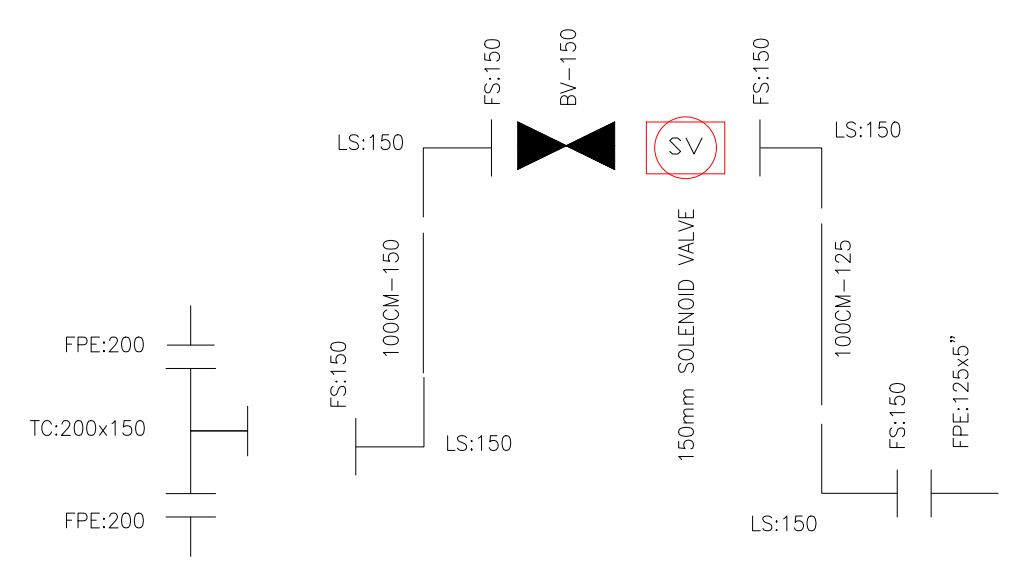
315mm-PE100-PN6	
250mm-PE100-PN6	
200mm-PE100-PN6	
160mm-PE100-PN6	
110mm-PE100-PN6	
90mm-PE100-PN6	
75mm-PE100-PN6	
63mm-PE100-PN6	
LATERAL-20-50-2	
LATERAL-16-50-2	

DATE		SIGNATURE	PROJ.NO	CLIENT: SIRJAN BONYAD CO. CONSULTANT: ABBAS RAHBAR	
Abbas Rahbar		DESIGNED		DASHTE ZAR PISTACHIO ORCHARD SUB SURFACE DRIP PROJECT	SCALE FIT:A1
Abbas Rahbar		DRAWN			
		CHECKED			
		APPROVED		ORCHARDS AREA&DISCHARGE-142Ha	UNITS: METRIC
PRESSURIZED IRRIGATION	FIELD			DWG.NO.GE-PISTACHIO-SDI-1/4	

D1x1

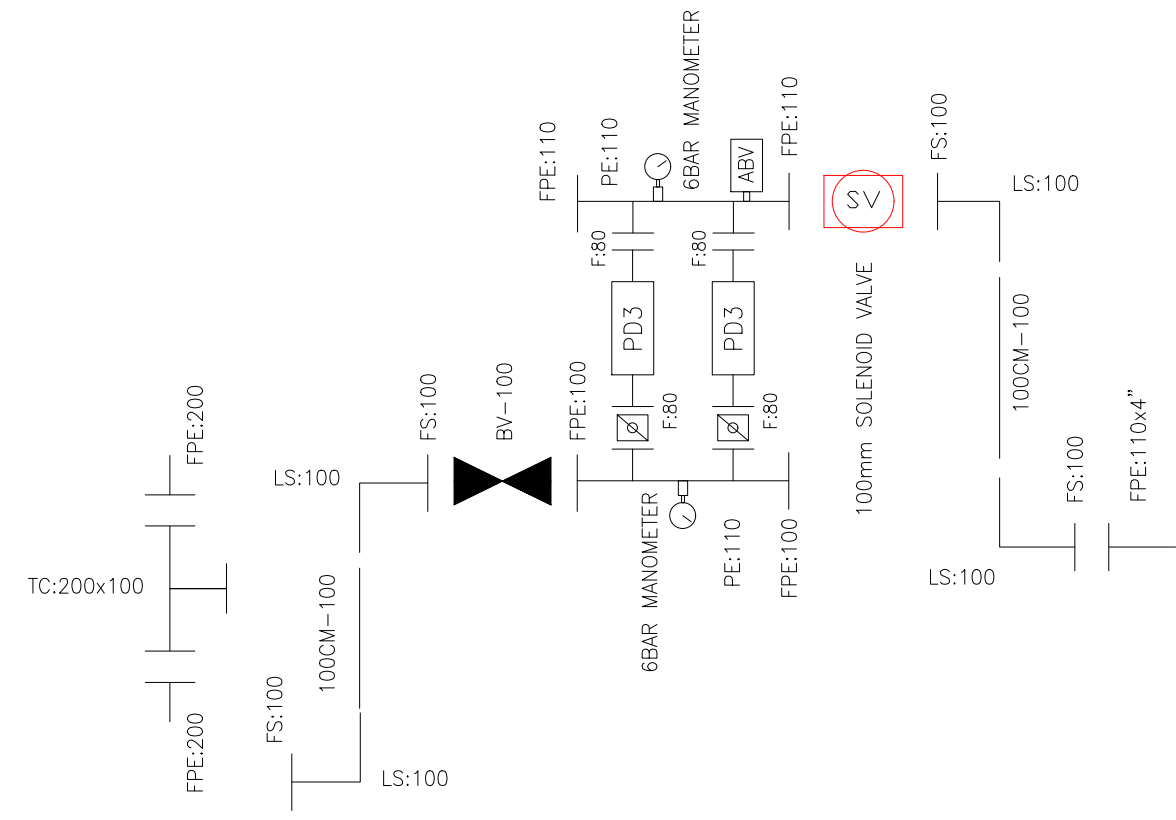


D2x2

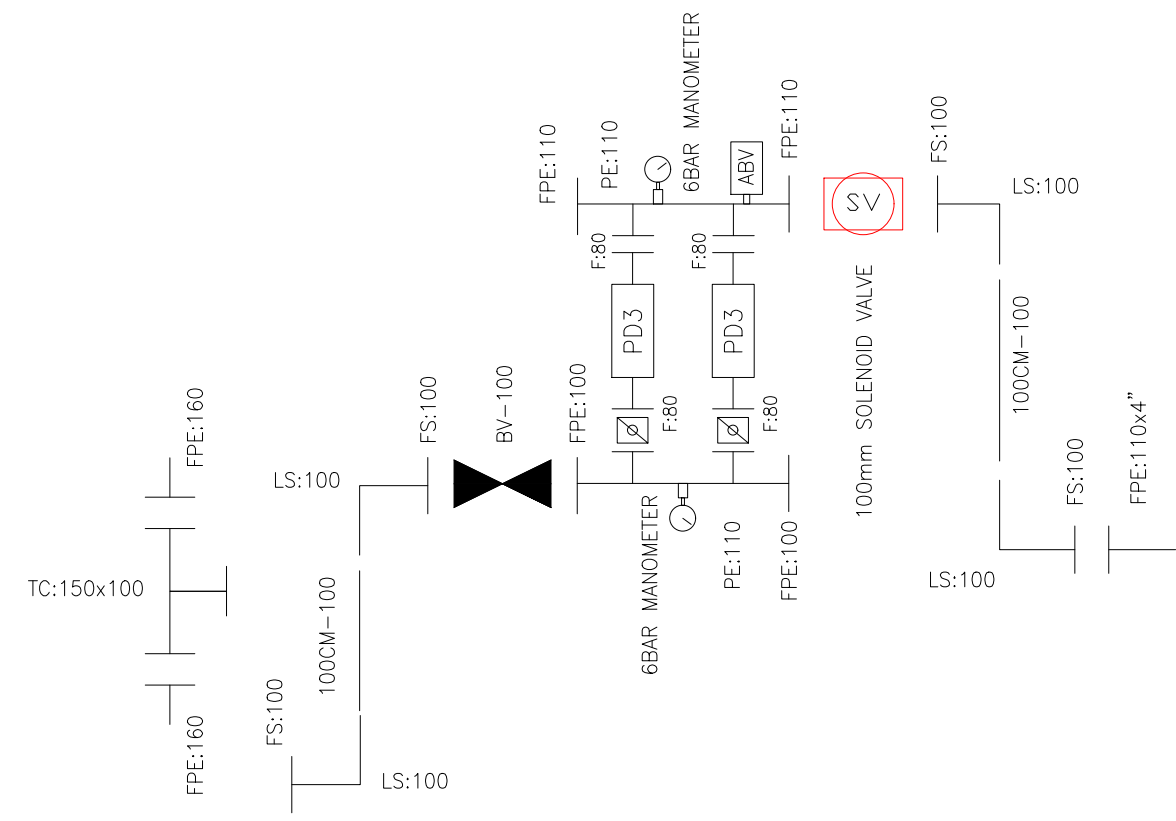


DATE		SIGNATURE	PROJ.NO	CLIENT: SIRJAN BONYAD CO. CONSULTANT: ABBAS RAHBAR	
Abbas Rahbar		Abbas Rahbar	DESIGNED	DASHTE ZAR PISTACHIO ORCHARD SUB SURFACE AND DRIP PROJECT	SCALE FIT:A3
Abbas Rahbar		Abbas Rahbar	DRAWN		
			CHECKED	DETAILs-142Ha	UNITS: METRIC
			APPROVED		
PRESSURIZED IRRIGATION	FIELD		DWG.NO.GE-PISTACHIO-SDI-1/14		

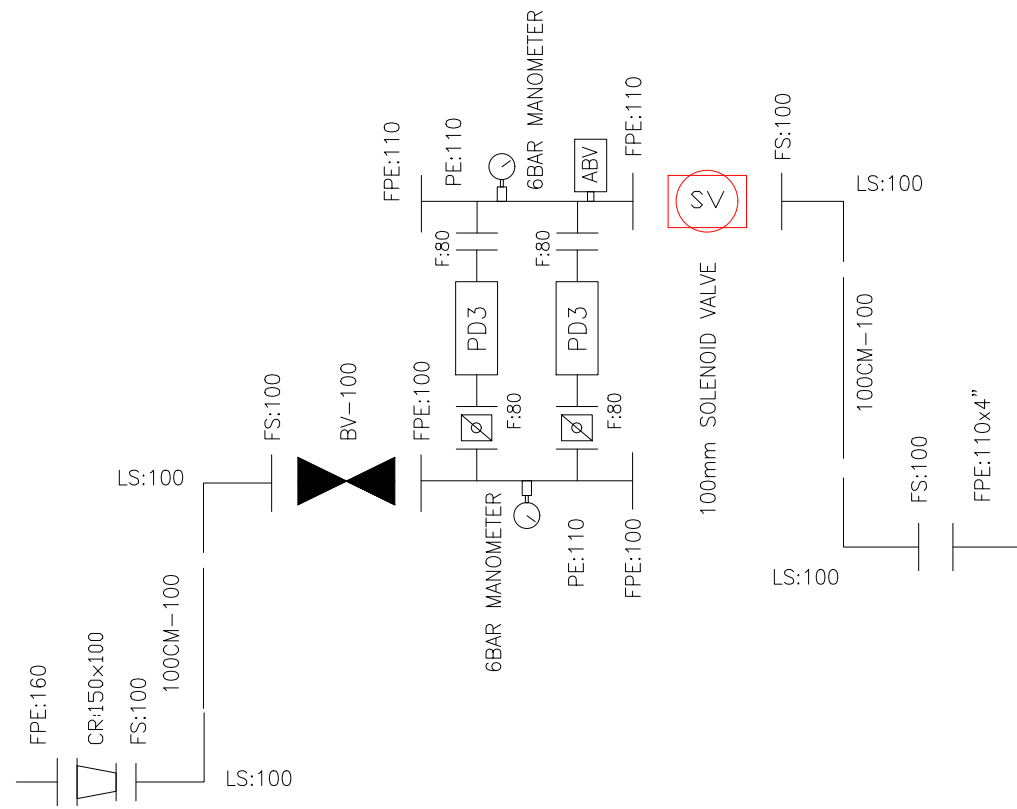
D3x4



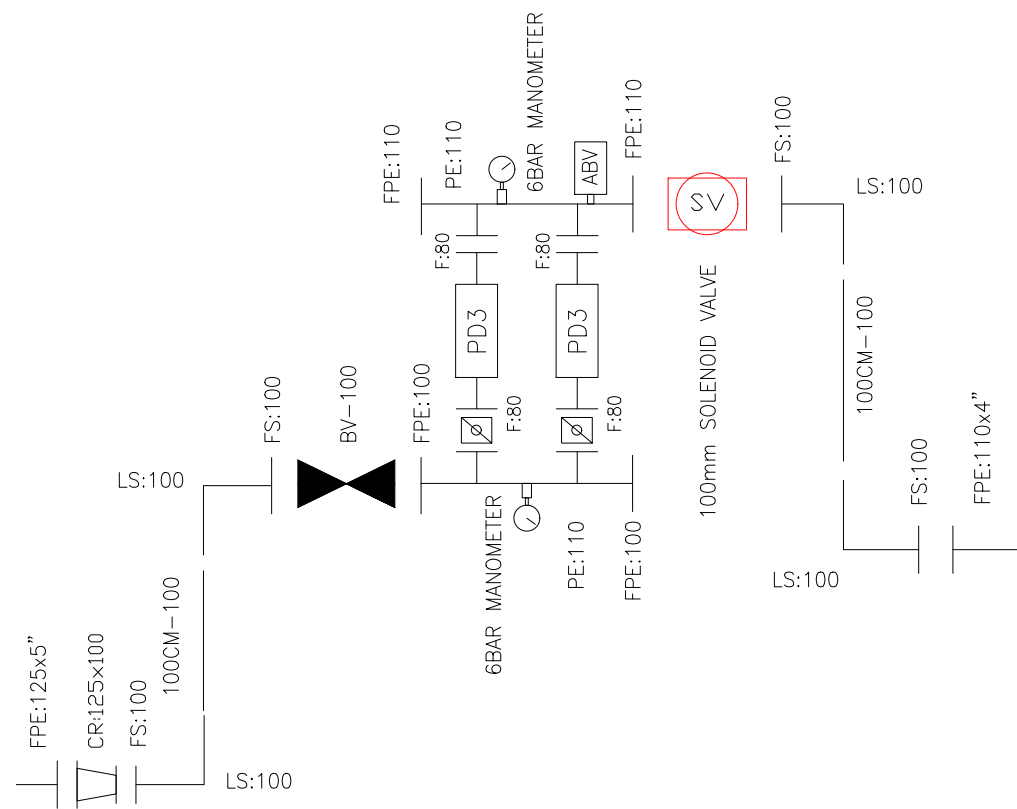
D4x3



		PROJ.NO	CLIENT: MAHYA AGRO-INDUSTRY CO.	
DATE	SIGNATURE		CONSULTANT: ABBAS RAHBAR	
	Abbas Rahbar	DESIGNED	PARVINABAD PISTACHIO ORCHARD SUB SURFACE AND DRIP PROJECT	SCALE FIT:A3
	Abbas Rahbar	DRAWN		
		CHECKED		
		APPROVED		
PRESSURIZED IRRIGATION	FIELD		DETAILS-142Ha	UNITS: METRIC
			DWG.NO.GE-PISTACHIO-SDI-2/14	



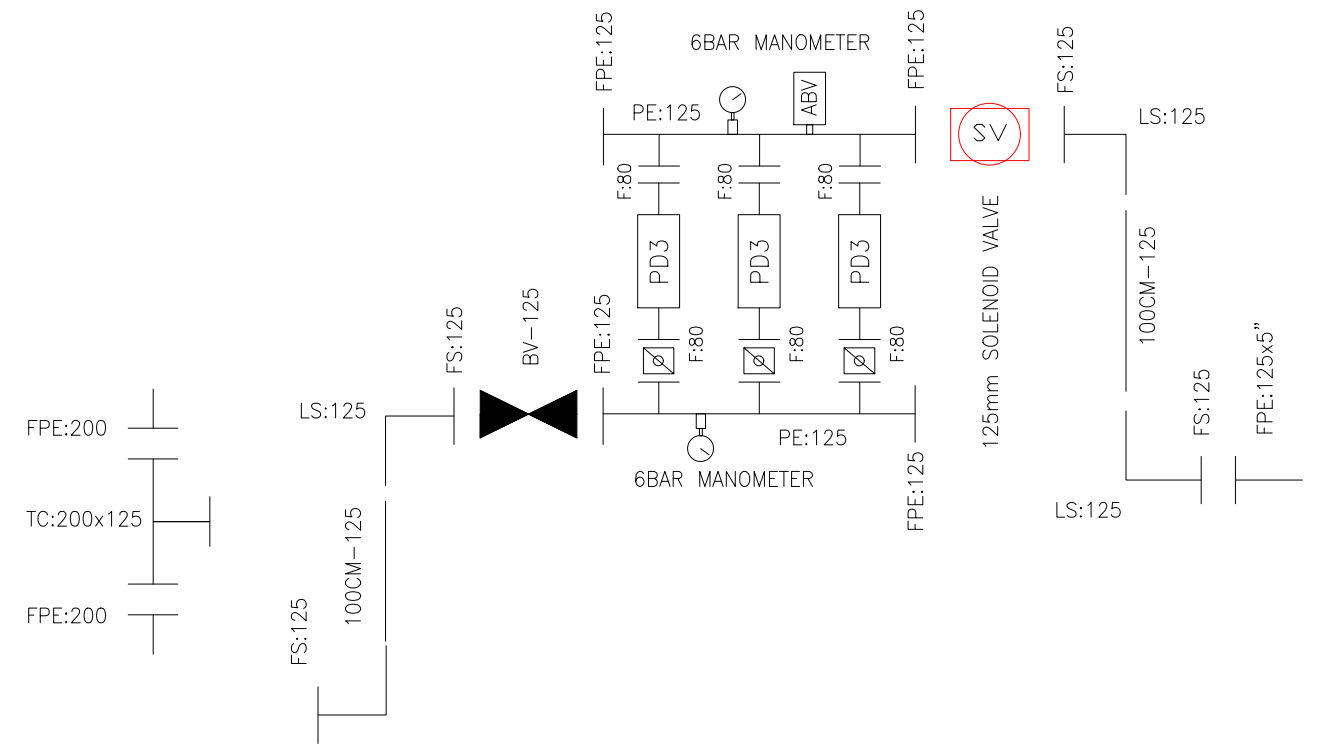
D5x2



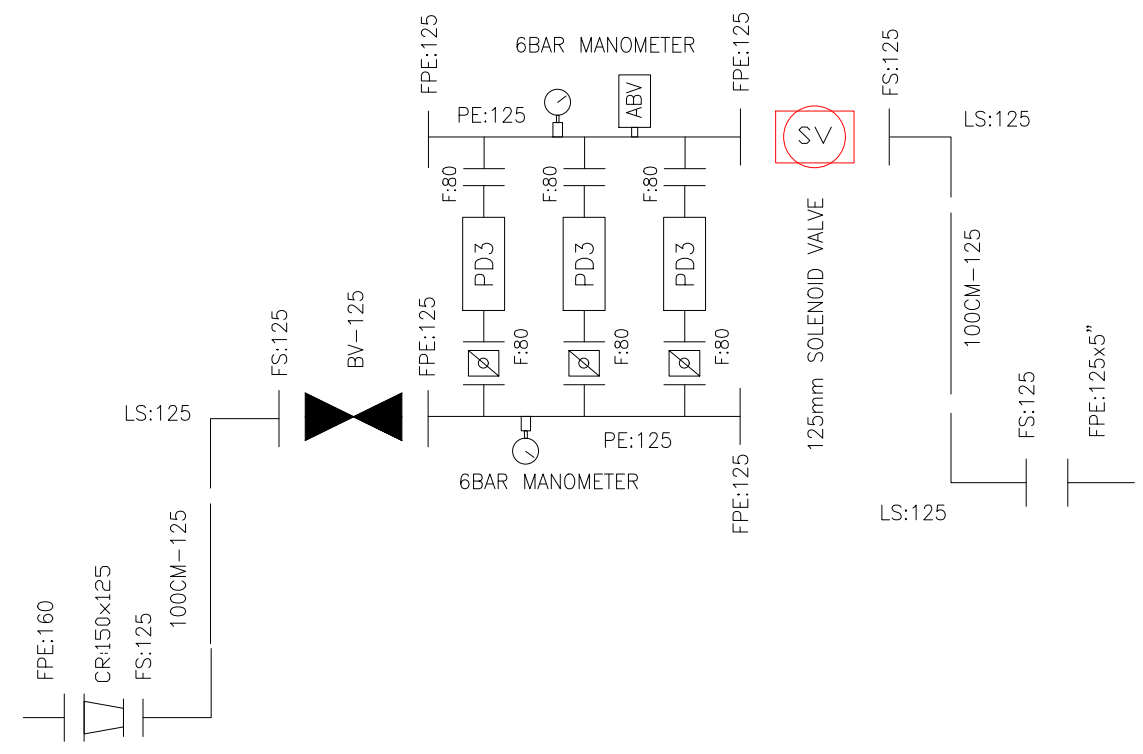
D6x1

		PROJ.NO	CLIENT: MAHYA AGRO-INDUSTRY CO.	
DATE	SIGNATURE		CONSULTANT: ABBAS RAHBAR	
	Abbas Rahbar	DESIGNED		
	Abbas Rahbar	DRAWN	PARVINABAD PISTACHIO ORCHARD	SCALE
		CHECKED	SUB SURFACE AND DRIP PROJECT	FIT:A3
		APPROVED		
PRESSURIZED IRRIGATION	FIELD		DETAILs-142Ha	UNITS:
			DWG.NO.GE-PISTACHIO-SDI-3/14	METRIC

D7x1

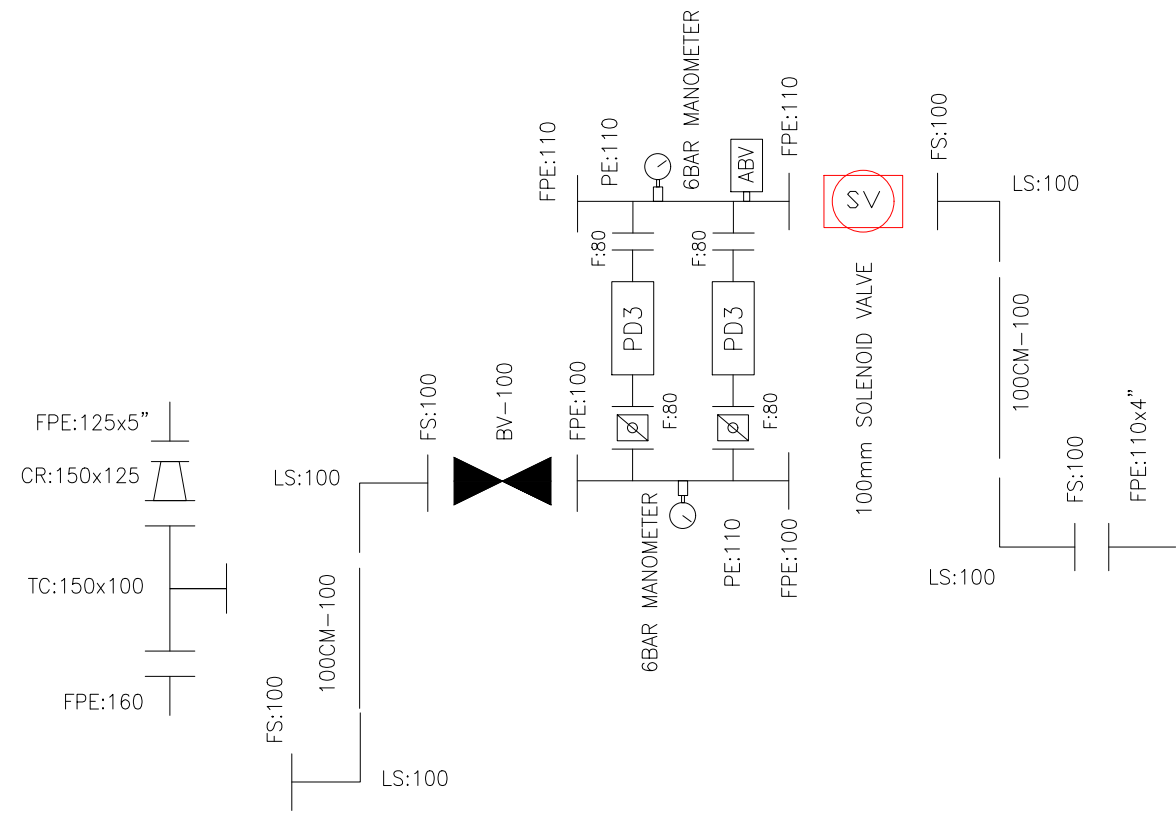


D8x1

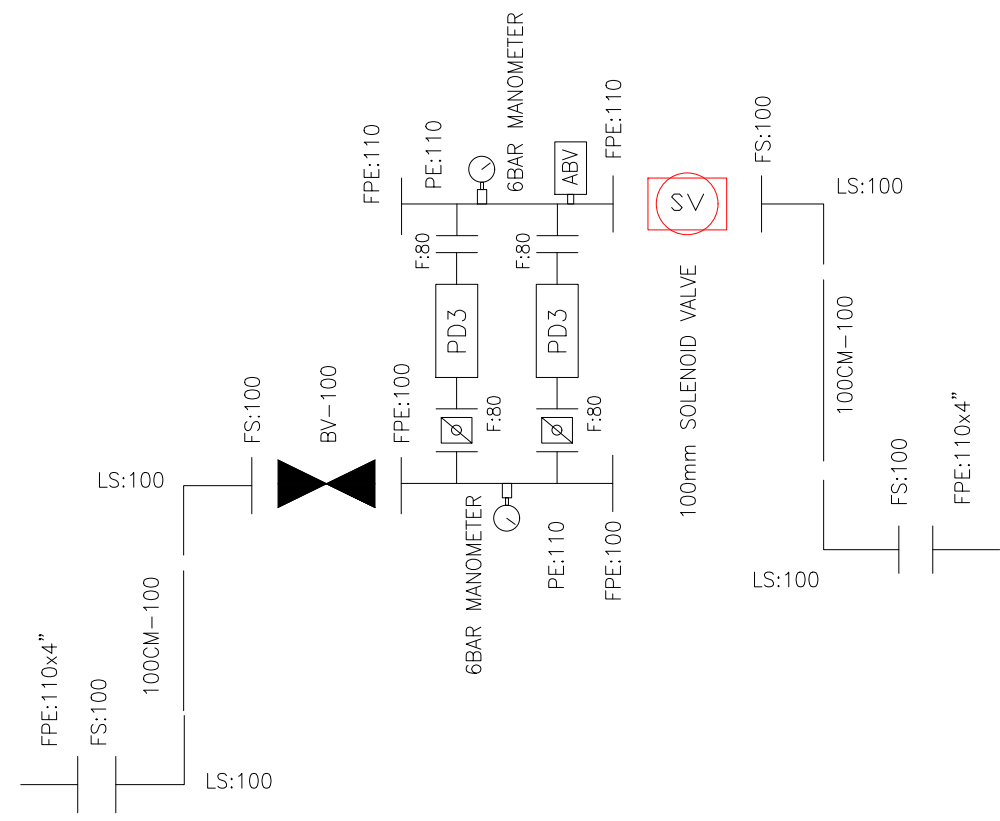


		PROJ.NO	CLIENT: MAHYA AGRO-INDUSTRY CO.	
DATE	SIGNATURE		CONSULTANT: ABBAS RAHBAR	
	Abbas Rahbar	DESIGNED	PARVINABAD PISTACHIO ORCHARD SUB SURFACE AND DRIP PROJECT	SCALE FIT:A3
	Abbas Rahbar	DRAWN		
		CHECKED		
		APPROVED		
PRESSURIZED IRRIGATION	FIELD		DETAILS-142Ha	UNITS: METRIC
			DWG.NO.GE-PISTACHIO-SDI-4/14	

D9x1

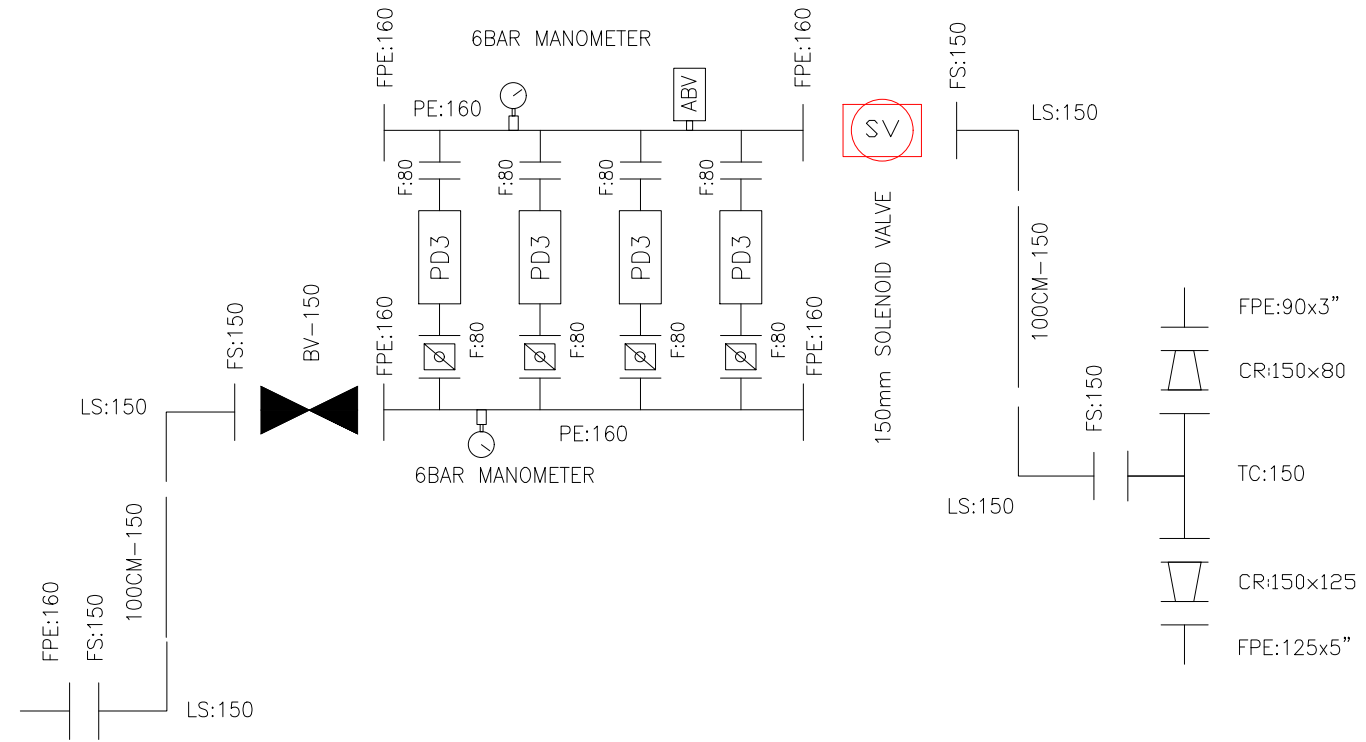


D10x2

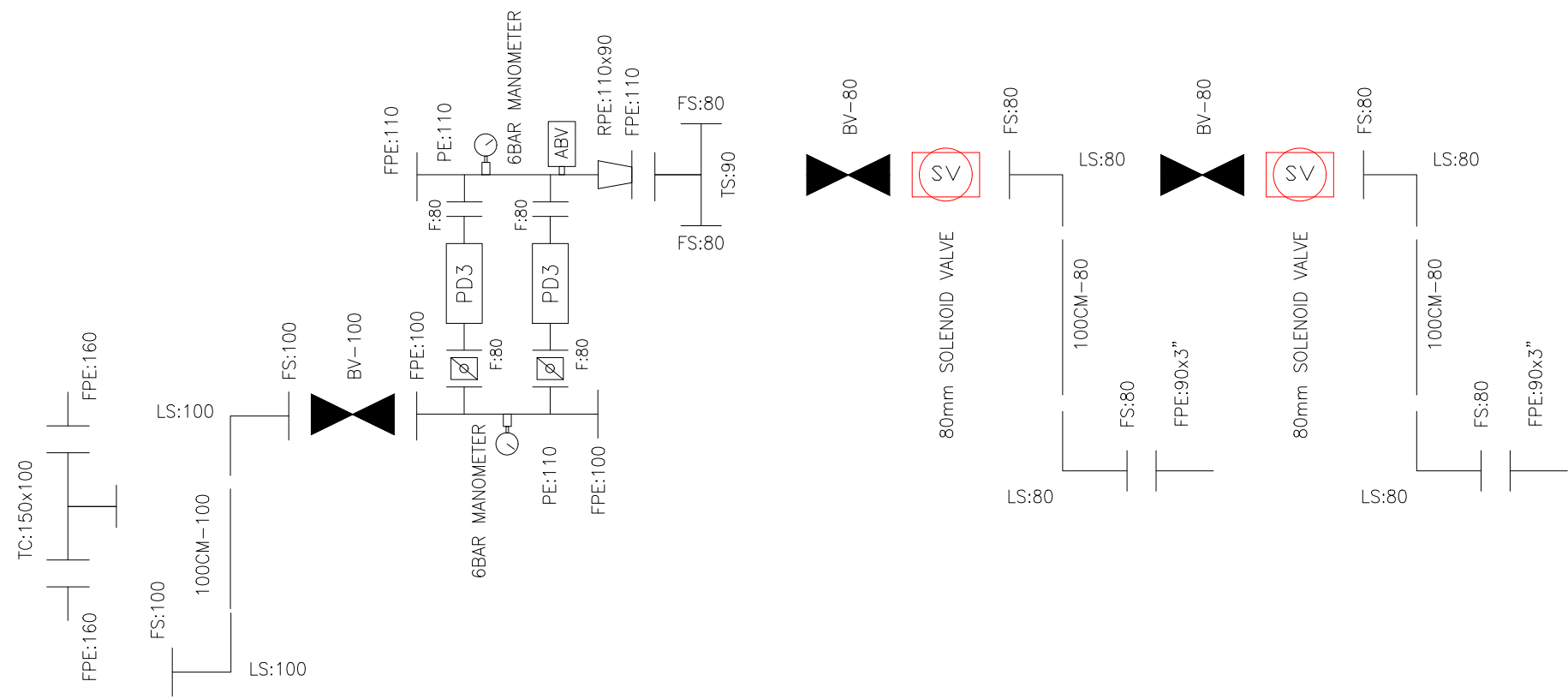


		PROJ.NO	CLIENT: MAHYA AGRO-INDUSTRY CO.	
DATE	SIGNATURE		CONSULTANT: ABBAS RAHBAR	
	Abbas Rahbar	DESIGNED	PARVINABAD PISTACHIO ORCHARD SUB SURFACE AND DRIP PROJECT	SCALE FIT:A3
	Abbas Rahbar	DRAWN		
		CHECKED		
		APPROVED		
PRESSURIZED IRRIGATION	FIELD		DETAILS-142Ha	UNITS: METRIC
			DWG.NO.GE-PISTACHIO-SDI-5/14	

D11x2

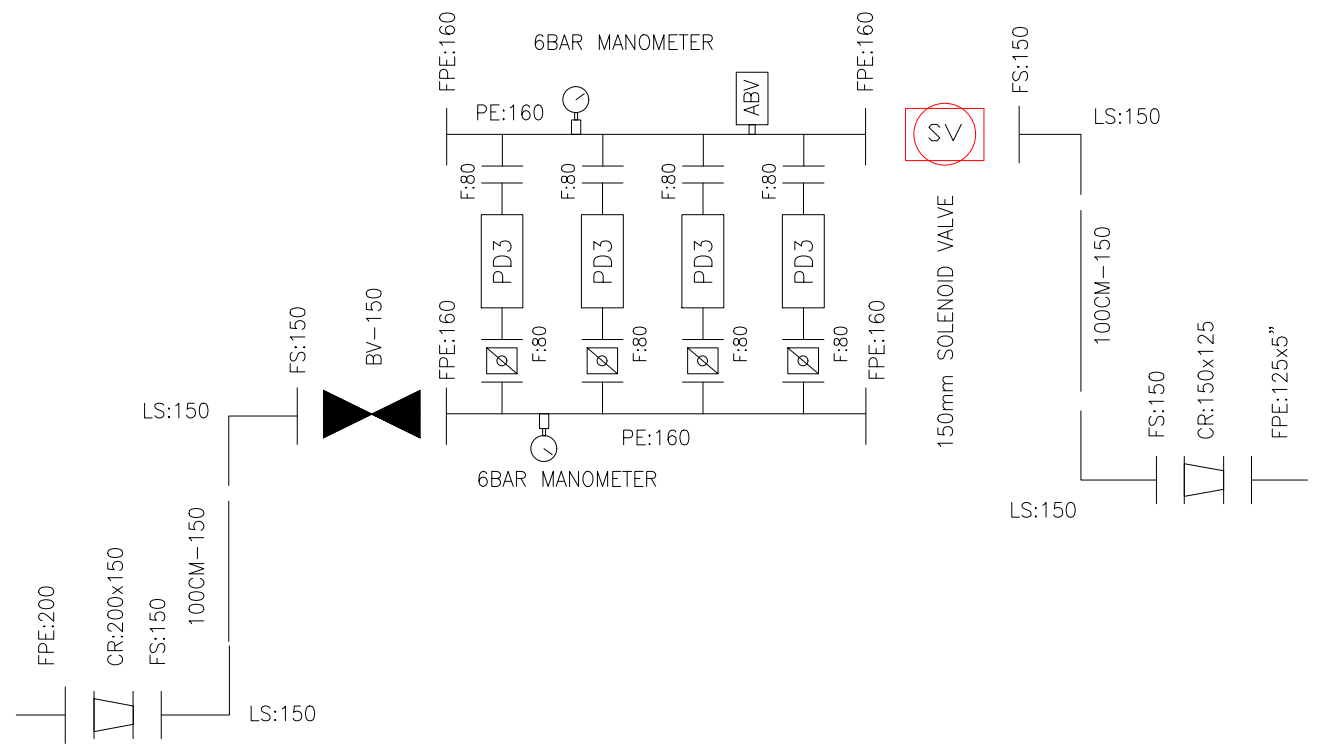


D12x1

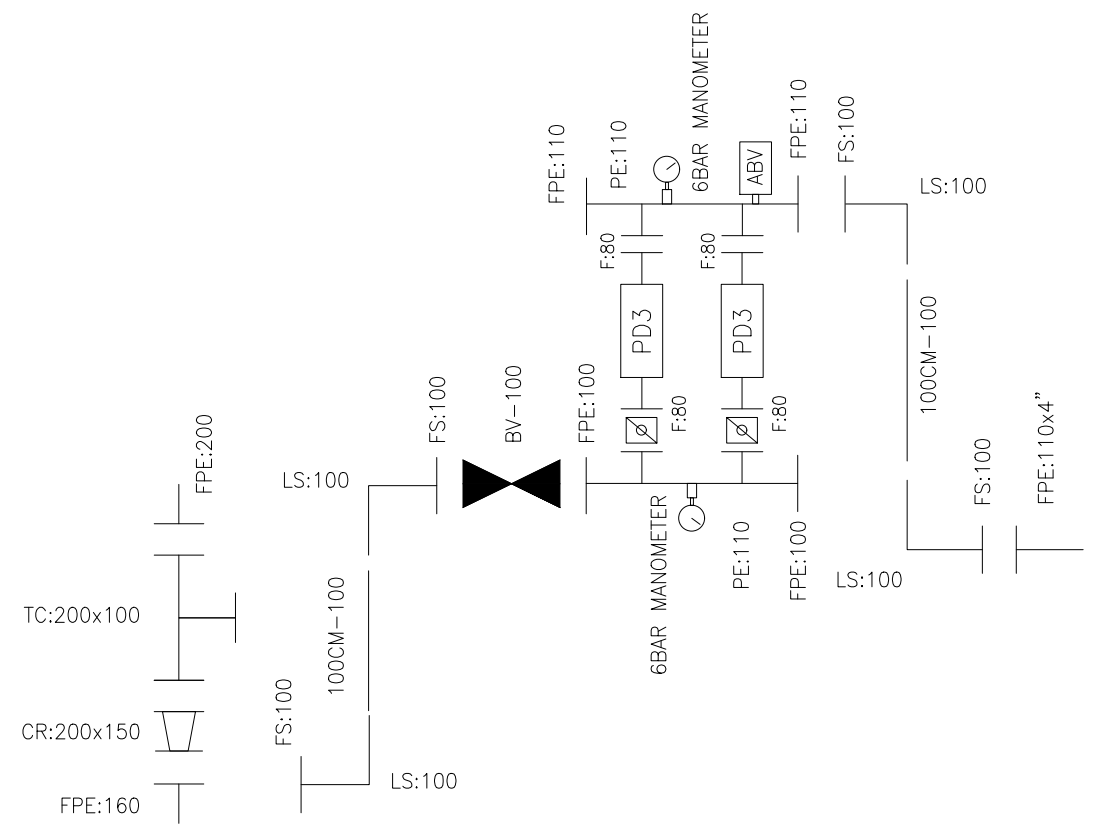


		PROJ.NO	CLIENT: SIRJAN BONYAD CO.	
DATE	SIGNATURE		CONSULTANT: ABBAS RAHBAR	
Abbas Rahbar	Abbas Rahbar	DESIGNED	DASHTE ZAR PISTACHIO ORCHARD SUB SURFACE AND DRIP PROJECT	SCALE FIT:A3
Abbas Rahbar		DRAWN		
		CHECKED		
		APPROVED	DETAILs-142Ha	UNITS: METRIC
PRESSURIZED IRRIGATION	FIELD		DWG.NO.GE-PISTACHIO-SDI-6/14	

D13x1

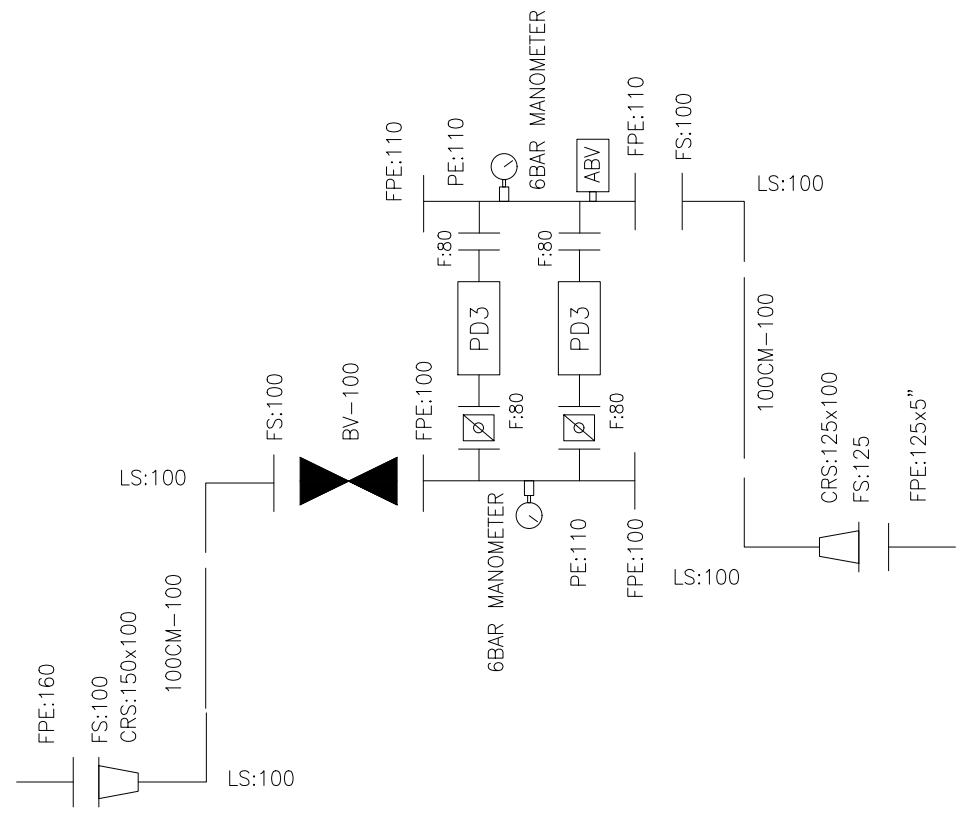


D14x2

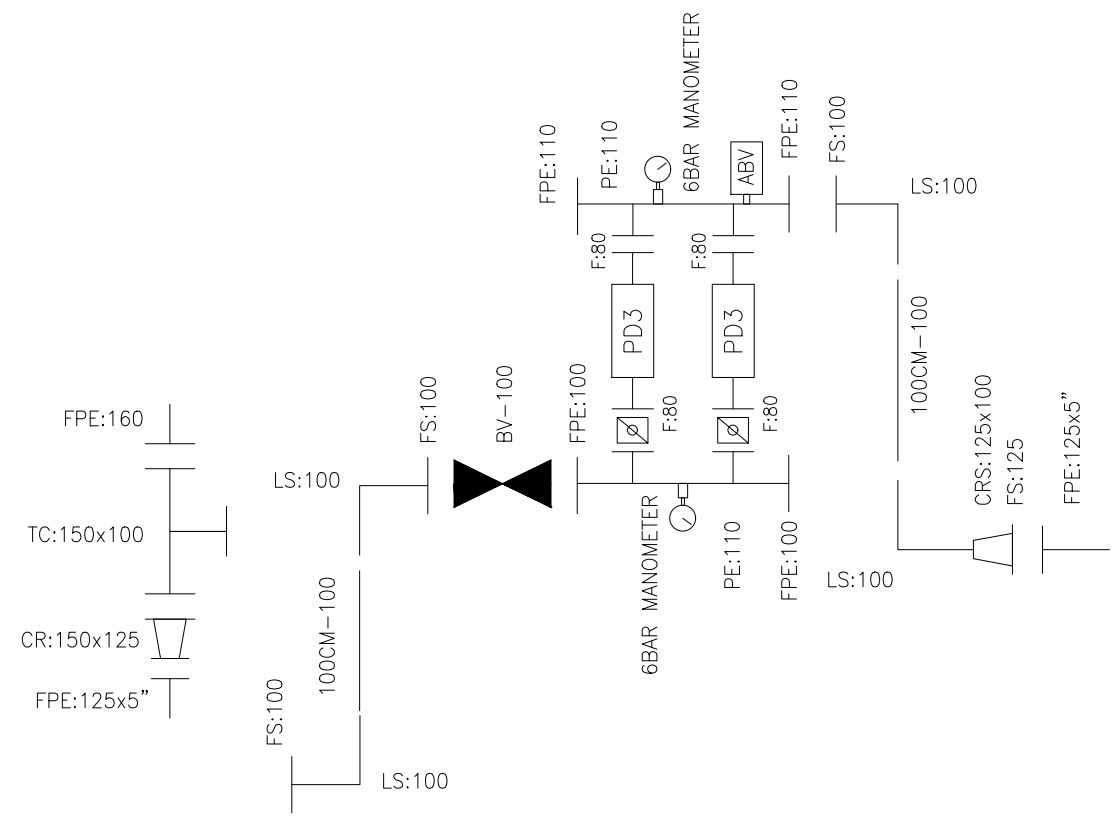


DATE		SIGNATURE		PROJ.NO	CLIENT: MAHYA AGRO-INDUSTRY CO. CONSULTANT: ABBAS RAHBAR	
Abbas Rahbar		Abbas Rahbar		DESIGNED	PARVINABAD PISTACHIO ORCHARD SUB SURFACE AND DRIP PROJECT	SCALE FIT:A3
Abbas Rahbar		Abbas Rahbar		DRAWN		
				CHECKED		
				APPROVED		
PRESSURIZED IRRIGATION	FIELD	DETAILs-142Ha				UNITS: METRIC
DWG.NO.GE-PISTACHIO-SDI-7/14						

D15x1

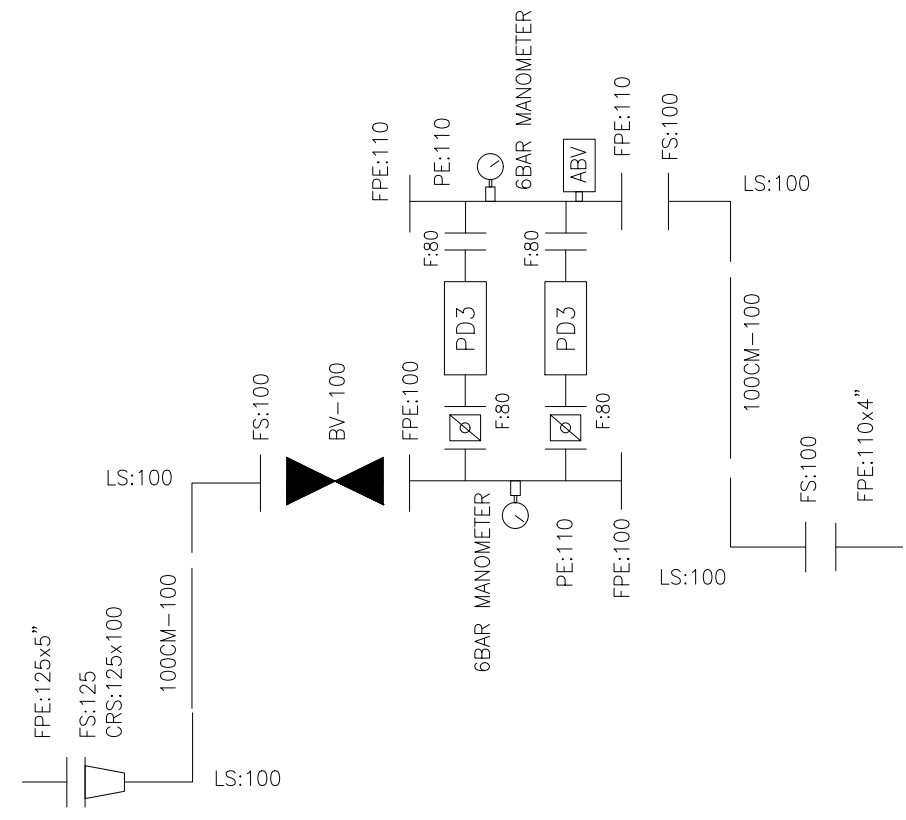


D16x1

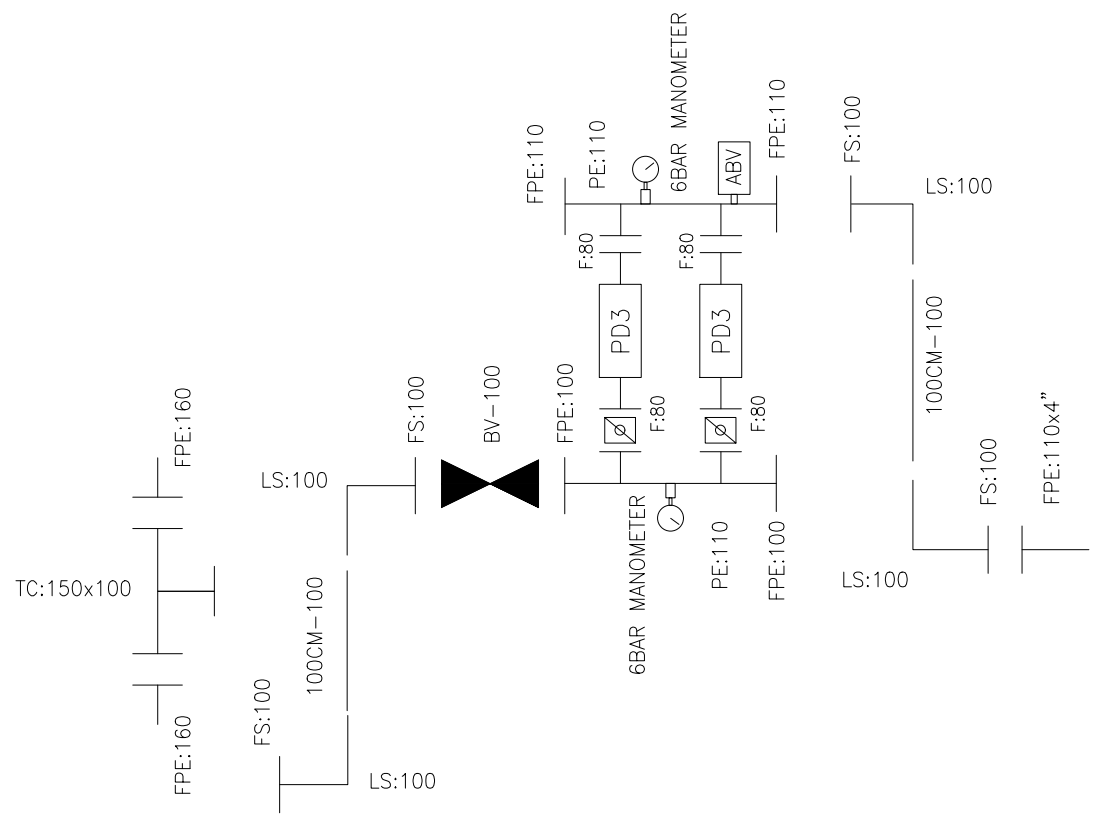


		PROJ.NO	CLIENT: MAHYA AGRO-INDUSTRY CO.	
DATE	SIGNATURE		CONSULTANT: ABBAS RAHBAR	
Abbas Rahbar	Abbas Rahbar	DESIGNED	PARVINABAD PISTACHIO ORCHARD SUB SURFACE AND DRIP PROJECT	SCALE FIT:A3
		DRAWN		
		CHECKED		
		APPROVED		
PRESSURIZED IRRIGATION	FIELD		DETAILs-142Ha	UNITS: METRIC
			DWG.NO.GE-PISTACHIO-SDI-8/14	

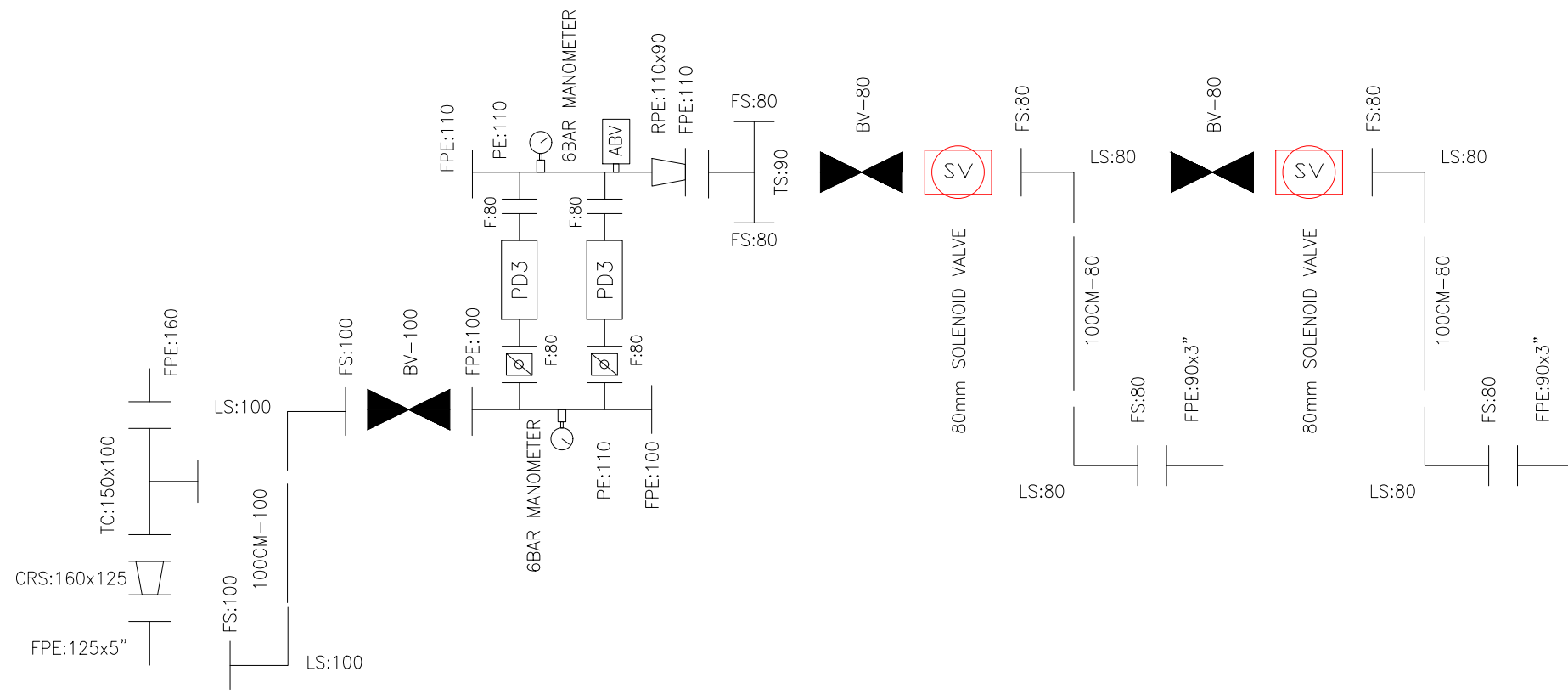
D17x1



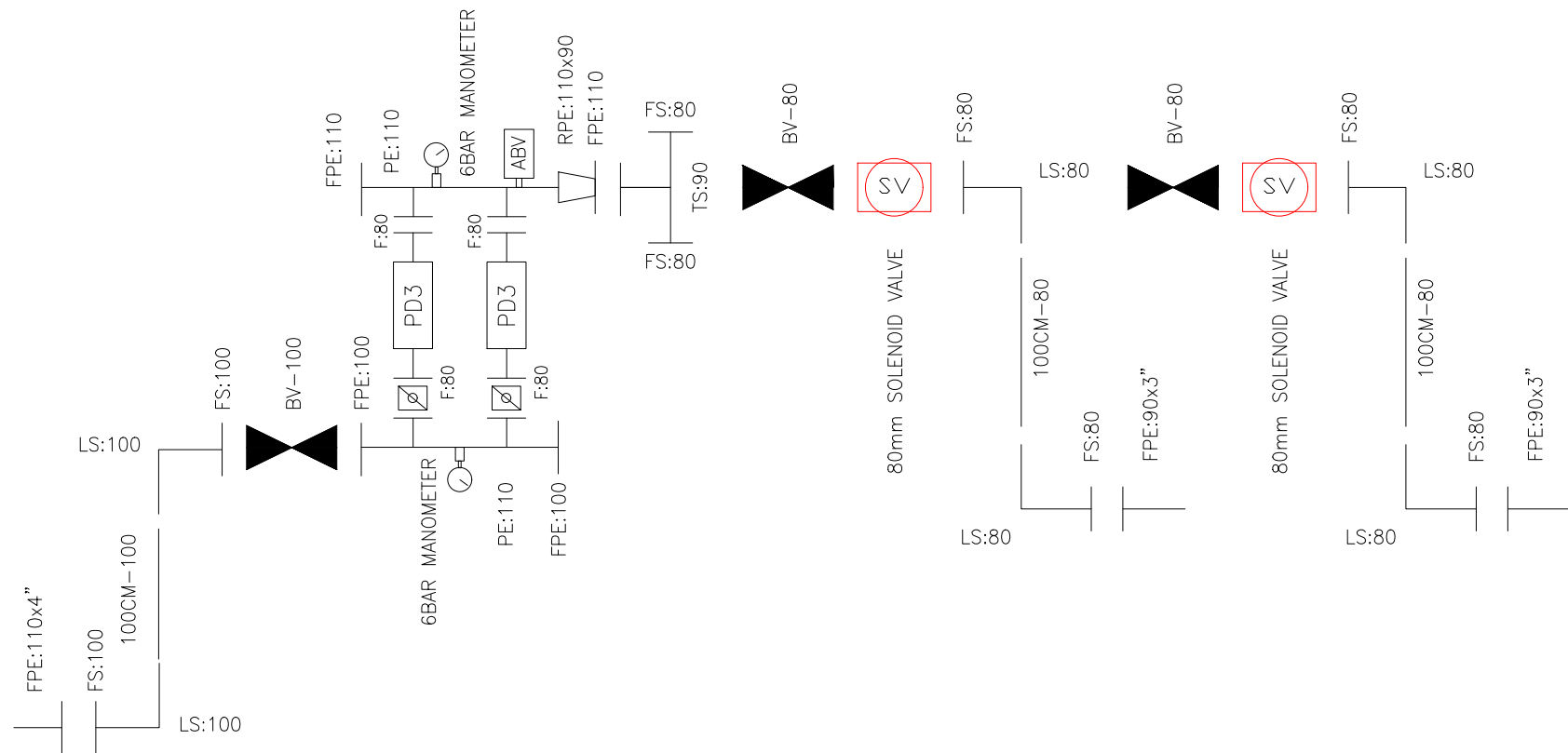
D18x1



		PROJ.NO	CLIENT: MAHYA AGRO-INDUSTRY CO.	
DATE	SIGNATURE		CONSULTANT: ABBAS RAHBAR	
	Abbas Rahbar	DESIGNED	PARVINABAD PISTACHIO ORCHARD SUB SURFACE AND DRIP PROJECT	SCALE FIT:A3
	Abbas Rahbar	DRAWN		
		CHECKED		
		APPROVED	DETAILs-142Ha	UNITS: METRIC
PRESSURIZED IRRIGATION		FIELD	DWG.NO.GE-PISTACHIO-SDI-9/14	



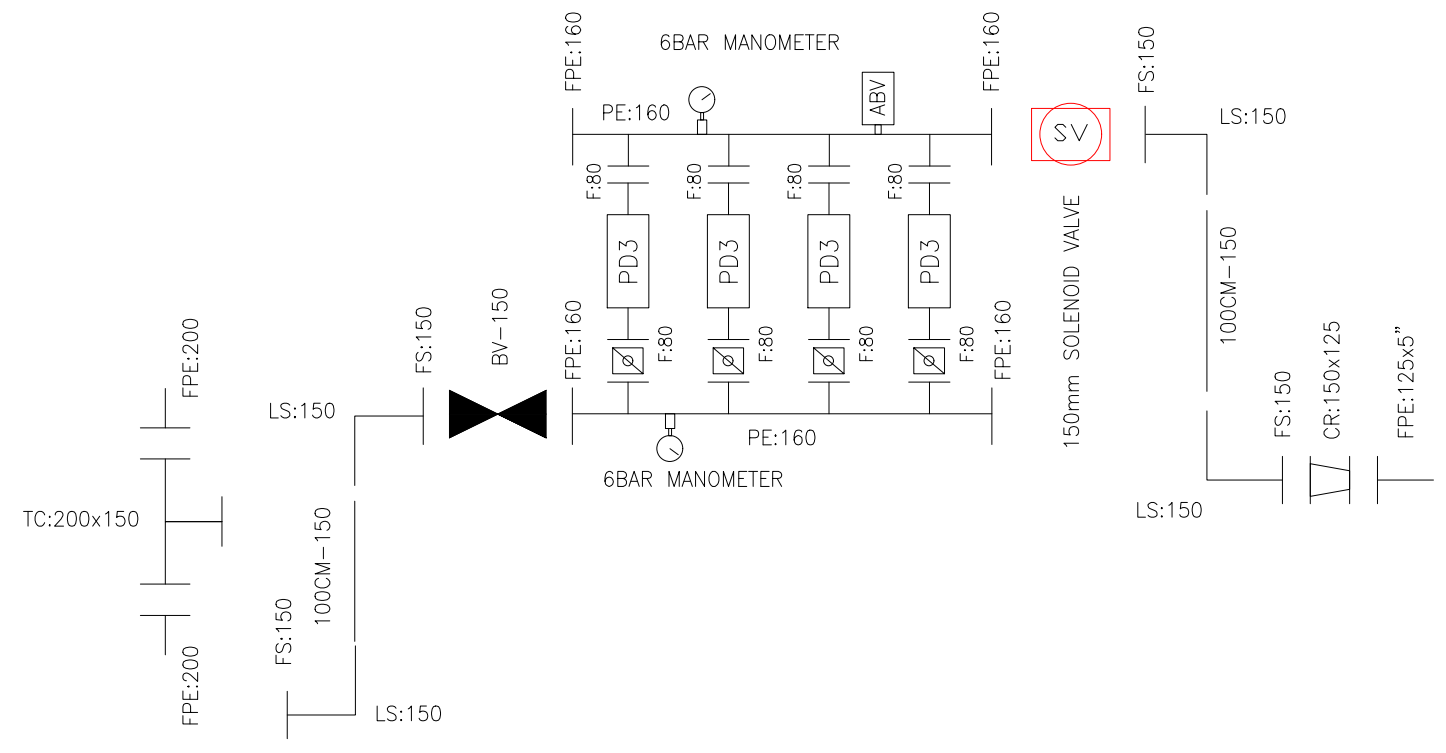
D19x1



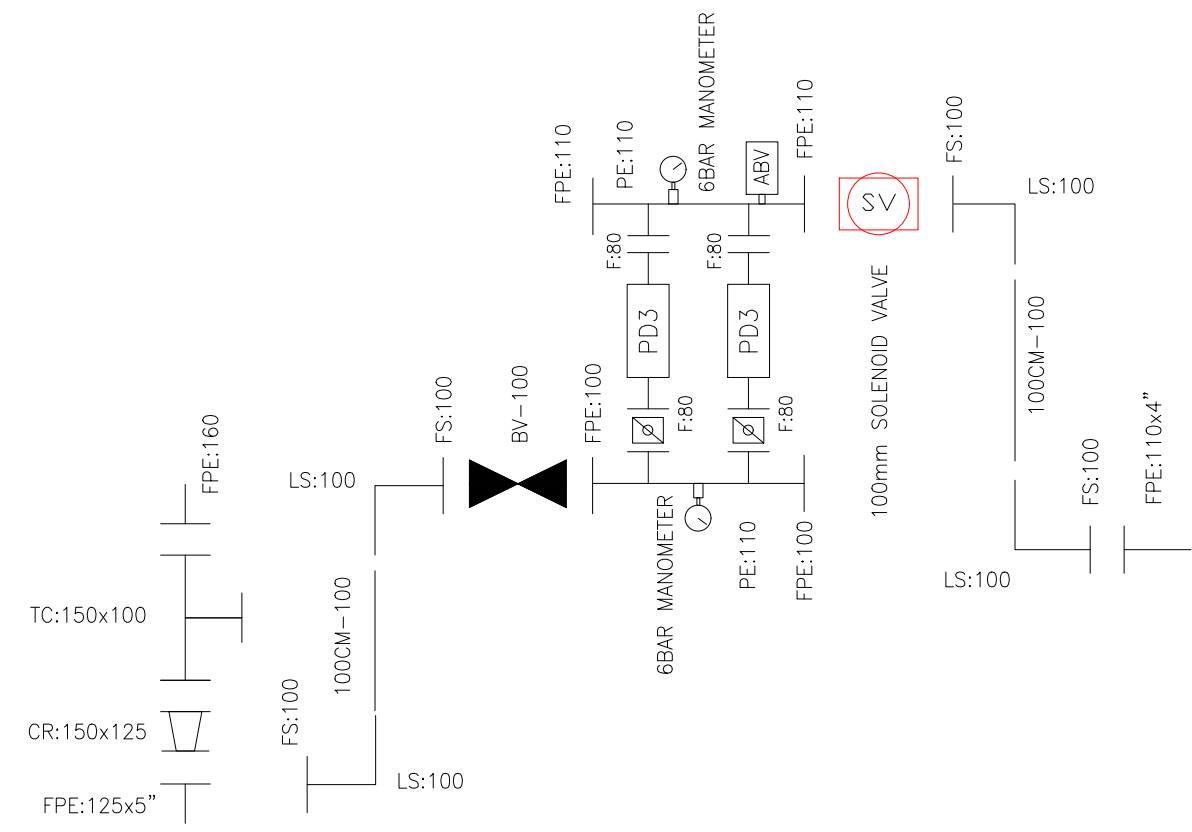
D20x1

		PROJ.NO	CLIENT: MAHYA AGRO-INDUSTRY CO.	
DATE	SIGNATURE		CONSULTANT: ABBAS RAHBAR	
Abbas Rahbar	Abbas Rahbar	DESIGNED	PARVINABAD PISTACHIO ORCHARD SUB SURFACE AND DRIP PROJECT	SCALE FIT:A3
Abbas Rahbar		DRAWN		
		CHECKED		
		APPROVED		
PRESSURIZED IRRIGATION	FIELD		DETAILS-142Ha	UNITS: METRIC
			DWG.NO.GE-PISTACHIO-SDI-10/14	

D21x1

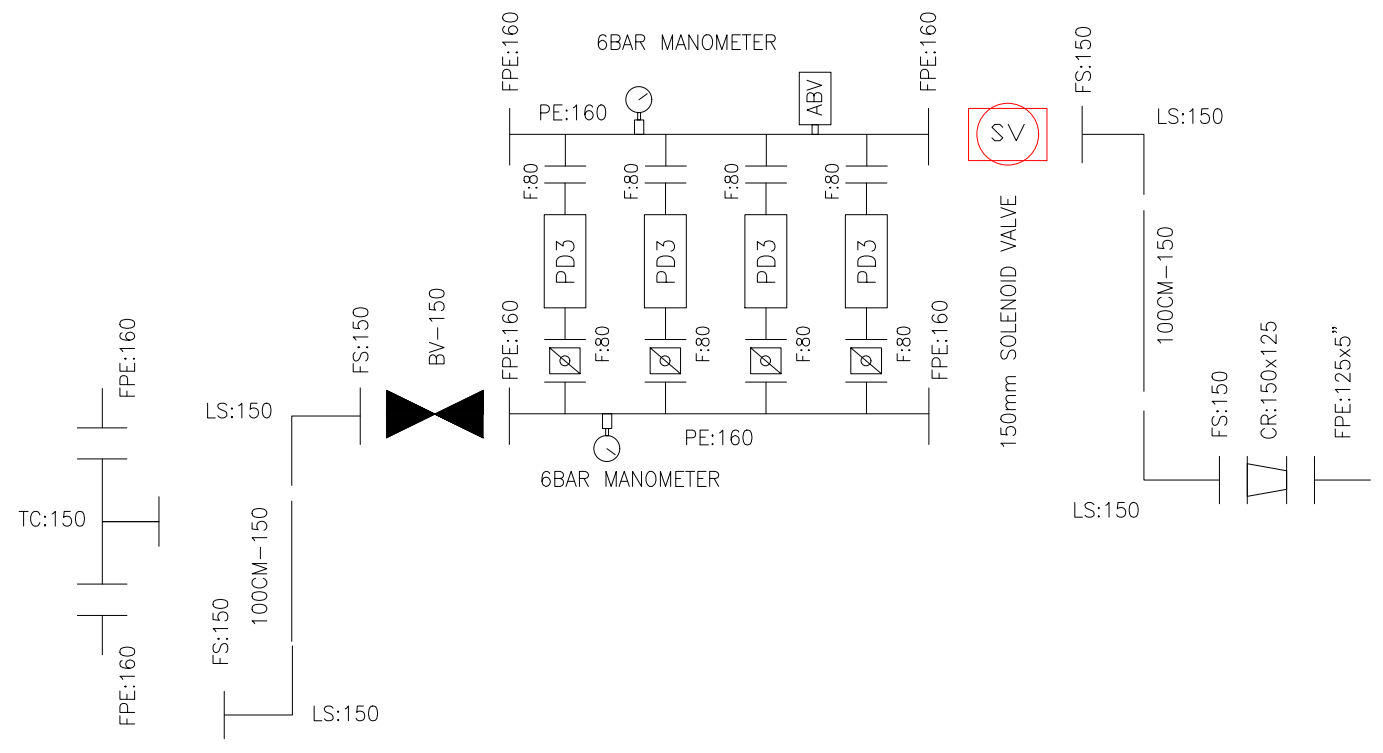


D22x1

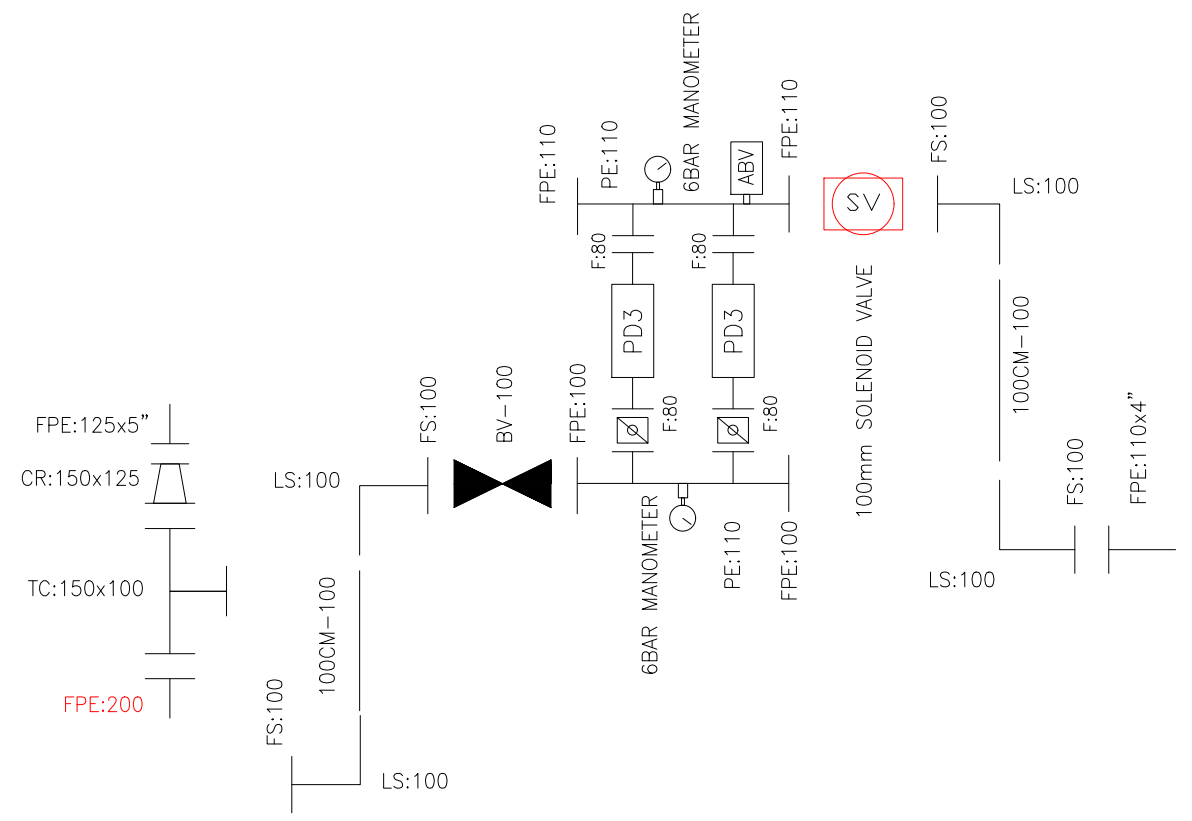


		PROJ.NO	CLIENT: MAHYA AGRO-INDUSTRY CO.	
DATE	SIGNATURE		CONSULTANT: ABBAS RAHBAR	
	Abbas Rahbar	DESIGNED	PARVINABAD PISTACHIO ORCHARD SUB SURFACE AND DRIP PROJECT	SCALE FIT:A3
	Abbas Rahbar	DRAWN		
		CHECKED		
		APPROVED		
PRESSURIZED IRRIGATION	FIELD		DETAILs-142Ha	UNITS: METRIC
			DWG.NO.GE-PISTACHIO-SDI-11/14	

D23x1

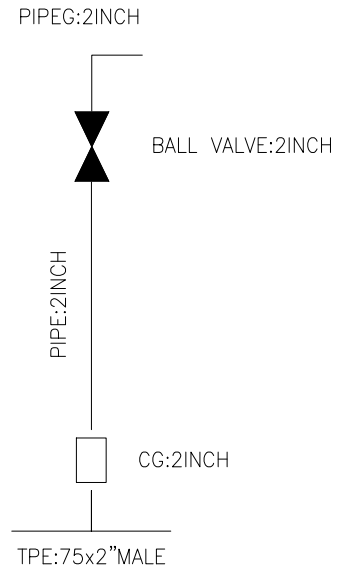


D24x1

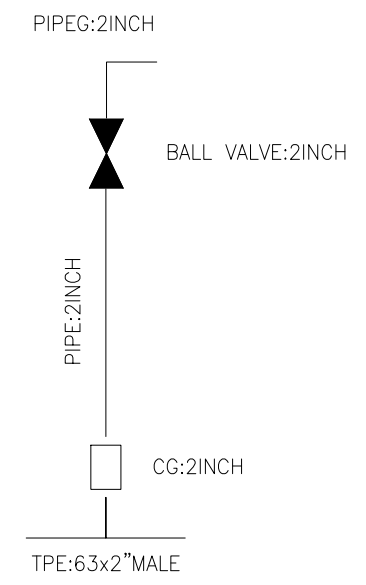


DATE		SIGNATURE	PROJ.NO	CLIENT: MAHYA AGRO-INDUSTRY CO. CONSULTANT: ABBAS RAHBAR	
		Abbas Rahbar	DESIGNED	PARVINABAD PISTACHIO ORCHARD SUB SURFACE AND DRIP PROJECT	SCALE FIT:A3
		Abbas Rahbar	DRAWN		
			CHECKED	DETAILS-142Ha	UNITS: METRIC
			APPROVED		
PRESSURIZED IRRIGATION		FIELD		DWG.NO.GE-PISTACHIO-SDI-12/14	

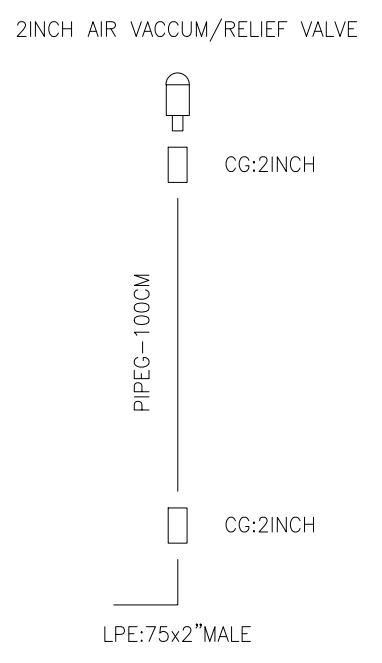
D26x2



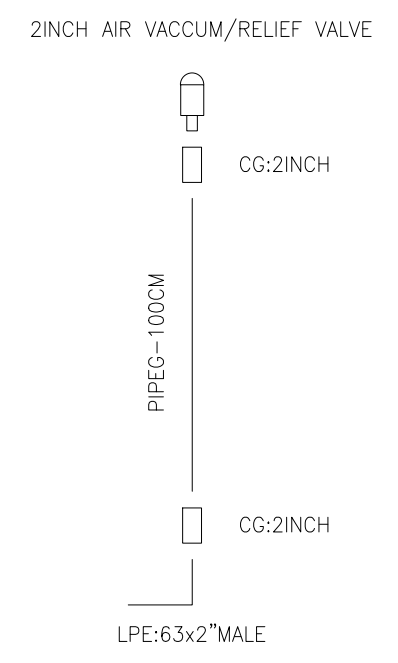
D25x134



D28x20



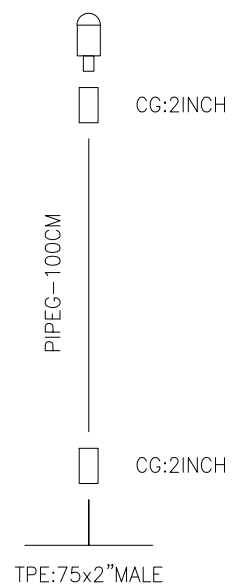
D27x168



		PROJ.NO	CLIENT: MAHYA AGRO-INDUSTRY CO.	
DATE	SIGNATURE		CONSULTANT: ABBAS RAHBAR	
Abbas Rahbar	Abbas Rahbar	DESIGNED	PARVINABAD PISTACHIO ORCHARD SUB SURFACE AND DRIP PROJECT	SCALE FIT:A3
		DRAWN		
		CHECKED	DETAILs-142Ha	UNITS: METRIC
		APPROVED		
PRESSURIZED IRRIGATION	FIELD		DWG.NO.GE-PISTACHIO-SDI-13/14	

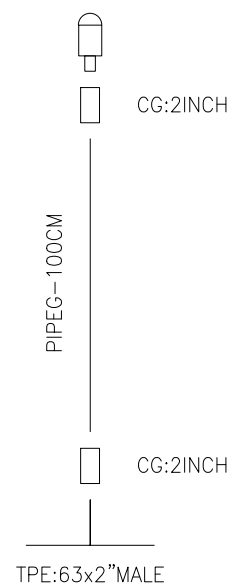
D30x30

2INCH AIR VACCUM/RELIEF VALVE



D29x47

2INCH AIR VACCUM/RELIEF VALVE



D32x1

D31x1

		PROJ.NO	CLIENT: MAHYA AGRO-INDUSTRY CO.	
DATE	SIGNATURE		CONSULTANT: ABBAS RAHBAR	
Abbas Rahbar	Abbas Rahbar	DESIGNED	PARVINABAD PISTACHIO ORCHARD SUB SURFACE AND DRIP PROJECT	SCALE FIT:A3
Abbas Rahbar		DRAWN		
		CHECKED	DETAILS-142Ha	UNITS: METRIC
		APPROVED		
PRESSURIZED IRRIGATION	FIELD		DWG.NO.GE-PISTACHIO-SDI-14/14	